

W849



THREADED STEEL GRUB SCREW WITH HEAGON SOCKET END AND STEEL BALL POINT

Materials:

W849:

Quenched steel grub screw body with strength class 10.9.

W849CIN:

Stainless steel grub screw body (Aisi 303).

Surface finish:

Smooth.

Colour:

W849:

Black-oxide treated.

W849CIN:

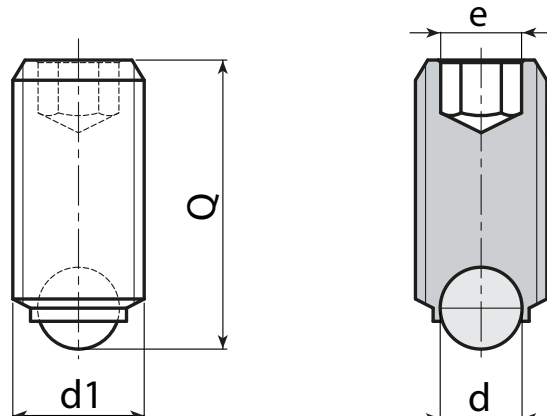
Natural.

Ball:

Hardened stainless steel ball (Aisi 420).

Special requests:

- None.



Version W849: black-oxide treated steel

Stock availability as % (🛒)
90% (🟢) - 40% (🟡) - 5% (🔴)

art.	d1 _{6g}	e	d	Q	g
W849.SBM04X..	M4	2	2.5	6-8-10-12-16	1-1-1-1-1
W849.SBM05X..	M5	2.5	3	8-10-12-16-20-25	1-1-1,3-1,7-2-2,9
W849.SBM06X..	M6	3	4	11-13-17-21-26	1,3-1,8-2,4-3-4
W849.SBM08X..	M8	4	4.5	11-13-17-21-26-31	3-3-4-5-7-9
W849.SBM10X..	M10	5	7	14-18-22-27-37	5-6-9-11-16
W849.SBM12X..	M12	6	8.5	18-22-32-42	10-11-18-21,5
W849.SBM16X..	M16	8	12	23-28-38-53	22-28-41-48
W849.SBM20X..	M20	10	15	34-44-64	54-74-120

Enter the selected grub screw length in place of the two dots . . in the item code.

Version W849CIN - stainless steel (Aisi 303)



art.	d1 _{6g}	e	d	Q	g
W849.INM04X..CIN	M4	2	2.5	6-8-10-12-16	1-1-1-1-1
W849.INM05X..CIN	M5	2.5	3	8-10-16-20-25	1-1-1,7-2-2,9
W849.INM06X..CIN	M6	3	4	11-13-17-21-26	1,3-1,8-2,4-3-4
W849.INM08X..CIN	M8	4	5.5	11-13-17-21-26-31	3-3-4-5-7-9
W849.INM10X..CIN	M10	5	7	14-18-22-27-37	5-6-9-11-16
W849.INM12X..CIN	M12	6	8.5	18-22-32-42	10-11-18-21,5

Enter the selected grub screw length in place of the two dots . . in the item code.



Arbel Agencies LTD.

11 Ba'alei Hamelacha st. Qiryat Bialik P.O.B 1095, ZIP 2751311, ISRAEL
+972(0)48736969 ☎ +972(0)48730708 📠 info@arbel-ltd.com 📧 www.arbel-ltd.com 🌐

