

W847 W850CIN

SMOOTH STAINLESS STEEL BALL PLUNGER



INOX

Materials:

Stainless steel plunger body (Aisi 303).

Surface finish:

Smooth.

Colour:

W850CIN:

Body: Natural.

Ball: Natural.

W847:

Body: Natural.

Ball: Natural.

Ball:

W850CIN: Hardened stainless steel ball (Aisi 420).

W847: White moulded plastic ball (POM).

Type of spring thrust:

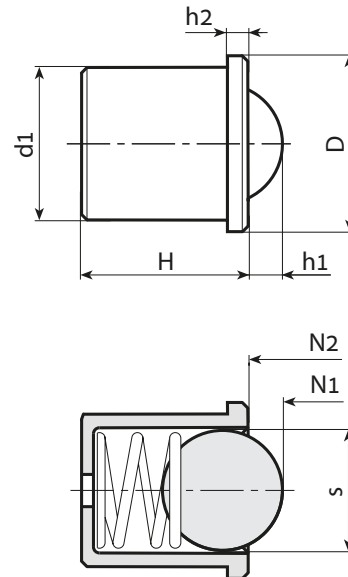
Normal.

Spring:

Stainless steel spring (Aisi 301).

Special requests:

- None.



Version W850CIN: with stainless steel ball (Aisi 303)

Stock availability as % (🛒)
90% (●) - 40% (●) - 5% (●)

🛒	art.	s	H	h1	h2	D	N1 (N)	N2 (N)	d1(+0.08+0)	g
●	W850.IND03CIN	2.5	4	0.65	0.8	3.5	1.7	3.5	3	0.2
●	W850.IND04CIN	3	5	0.8	1	4.6	3	7	4	0.3
●	W850.IND05CIN	4	6	1	1	5.6	4	7	5	0.6
●	W850.IND06CIN	5	7	1.5	1	6.5	6	12	6	1
●	W850.IND08CIN	6.5	9	1.8	1	8.5	6	12	8	2
●	W850.IND10CIN	8	13.5	2.7	2.5	12	10	20	10	6
●	W850.IND12CIN	10	16	3.5	2.5	14	15	25	12	10

Version W847: with plastic ball (Delrin)

🛒	art.	s	H	h1	h2	D	N1 (N)	N2 (N)	d1(+0.08+0)	g
●	W847.IND04	3	5	0.8	1	4.6	3	7	4	0.3
●	W847.IND05	4	6	1	1	5.6	4	7	5	0.6
●	W847.IND06	5	7	1.5	1	6.5	6	12	6	1
●	W847.IND08	6.5	9	1.8	1	8.5	6	12	8	2
●	W847.IND10	8	13.5	2.7	2.5	12	10	20	10	6
●	W847.IND12	10	16	3.5	2.5	14	15	25	12	10

Arbel Agencies LTD.



11 Ba'alei Hamelacha st. Qiryat Bialik P.O.B 1095, ZIP 2751311, ISRAEL
+972(0)48736969 ☎ +972(0)48730708 📠 info@arbel-ltd.com 📧 www.arbel-ltd.com 🌐



W.P