

W842



THREADED STEEL SPRING PLUNGER WITH GRUB SCREW AND PLASTIC NOSE PIN

Materials:

W840:

Steel plunger body with property class 5.8.

W840CIN:

Stainless steel plunger body (Aisi 303).

Surface finish:

Smooth.

Colour:

W840:

Black-oxide treated.

W840CIN:

Natural.

Nose pin:

W840:

(1) Turned hardened and black-oxide treated steel nose pin.

W840CIN:

(1) Turned stainless steel nose pin (Aisi 303).

Spring:

W840:

(3) Harmonic steel spring.

W840CIN:

(3) Stainless steel spring (Aisi 301).

Grub screw:

W840:

(2) Black-oxide treated steel grub screw with hexagon socket head (attention: the grub screw is glued in place).

W840CIN:

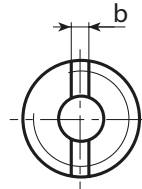
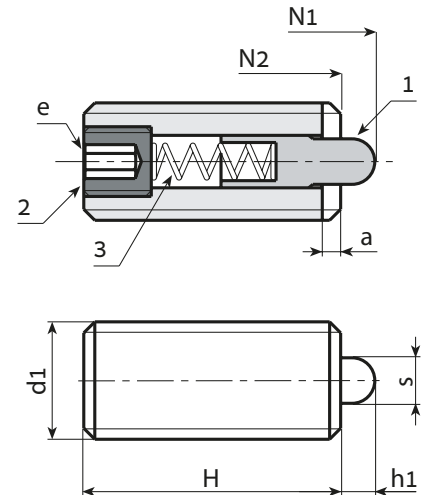
(2) Stainless steel grub screw (Aisi 303) with hexagon socket head (attention: the grub screw is glued in place).

Type of spring thrust:

Normal.

Special requests:

- None.



Version W842: black-oxide treated steel



Stock availability as % (🛒)
90% (●) -40% (●) -5% (●)

🛒	art.	s	H	h1	e	a	b	N1 (N)	N2 (N)	d1 _{6H}	g
●	W842.VBM04	1.5	15	1.5	1.3	0.6	0.6	5	16	M4	0.8
●	W842.VBM05	2.4	18	2.3	1.5	0.8	0.8	6	20	M5	1.3
●	W842.VBM06	2.7	20	2.5	2	1	1	7	20	M6	2.5
●	W842.VBM08	3.5	22	3	2.5	1.4	1.2	9	35	M8	6
●	W842.VBM10	4	22	3	3	1.4	1.6	9	35	M10	9
●	W842.VBM12	6	28	4	4	2	2	10	55	M12	16
●	W842.VBM16	7.5	32	5	5	2.5	2.5	45	100	M16	35

Version W842CIN - stainless steel (Aisi 303)



🛒	art.	s	H	h1	e	a	b	N1 (N)	N2 (N)	d1 _{6H}	g
●	W842.INM04CIN	1.5	15	1.5	1.3	0.6	0.6	5	16	M4	0.8
●	W842.INM05CIN	2.4	18	2.3	1.5	0.8	0.8	6	20	M5	1.3
●	W842.INM06CIN	2.7	20	2.5	2	1	1	7	20	M6	2.5
●	W842.INM08CIN	3.5	22	3	2.5	1.4	1.2	9	35	M8	6
●	W842.INM10CIN	4	22	3	3	1.4	1.6	9	35	M10	9
●	W842.INM12CIN	6	28	4	4	2	2	10	55	M12	16
●	W842.INM16CIN	7.5	32	5	5	2.5	2.5	45	100	M16	35



Arbel Agencies LTD.

11 Ba'alei Hamelacha st. Qiryat Bialik P.O.B 1095, ZIP 2751311, ISRAEL

+972(0)48736969 ☎ +972(0)48730708 📠 info@arbel-ltd.com 📧 www.arbel-ltd.com 🌐

