

W836



THREADED STEEL SPRING PLUNGER WITH HEXAGON SOCKET END AND NOSE PIN

Materials:

W836:

Steel plunger body with property class 5.8.

W836CIN:

Stainless steel plunger body (Aisi 303).

Surface finish:

Smooth.

Colour:

W836:

Black-oxide treated.

W836CIN:

Natural.

Nose pin:

W836:

Turned hardened and black-oxide treated steel nose pin.

W836CIN:

Turned stainless steel nose pin (Aisi 303).

Spring:

W836:

Harmonic steel spring.

W836CIN:

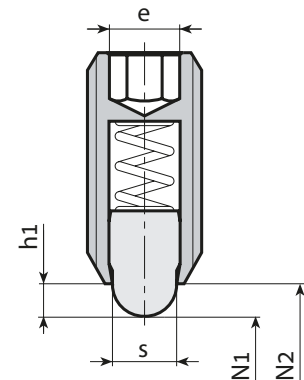
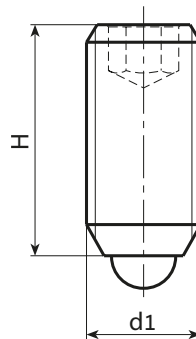
Stainless steel spring (Aisi 301).

Type of spring thrust:

Normal.

Special requests:

- None.



Version W836: black-oxide treated steel

Stock availability as % (🛒)
90% (●) - 40% (●) - 5% (●)

🛒	art.	s	H	h1	N1 (N)	N2 (N)	d1 _{6H}	g
●	W836.VBM05	2.4	14	2	5	13	M5	1.1
●	W836.VBM06	2.7	15	2	6	17	M6	2
●	W836.VBM08	3.8	18	2	16	33	M8	4
●	W836.VBM10	4.5	23	2.5	19	42	M10	8
●	W836.VBM12	6.2	26	3.5	22	57	M12	12
●	W836.VBM16	8.5	33	4.5	38	78	M16	31
●	W836.VBM20	10	43	6.5	39	81	M20	64
●	W836.VBM24	13	48	8	72	155	M24	100

Version W836CIN - stainless steel (Aisi 303)



🛒	art.	s	H	h1	N1 (N)	N2 (N)	d1 _{6H}	g
●	W836.INM05CIN	2.4	14	2	5	13	M5	1.1
●	W836.INM06CIN	2.7	15	2	6	17	M6	2
●	W836.INM08CIN	3.8	18	2	16	33	M8	4
●	W836.INM10CIN	4.5	23	2.5	19	42	M10	8
●	W836.INM12CIN	6.2	26	3.5	22	57	M12	12
●	W836.INM16CIN	8.5	33	4.5	38	78	M16	31
●	W836.INM20CIN	10	43	6.5	39	81	M20	64
●	W836.INM24CIN	13	48	8	72	155	M24	100

Arbel Agencies LTD.



11 Ba'alei Hamelacha st. Qiryat Bialik P.O.B 1095, ZIP 2751311, ISRAEL
+972(0)48736969 ☎ +972(0)48730708 📠 info@arbel-ltd.com 📧 www.arbel-ltd.com 🌐

