

W832



THREADED STEEL SPRING PLUNGER WITH SLOTTED END AND NOSE PIN

Materials:

W832:

Steel plunger body with property class 5.8.

W832CIN:

Stainless steel plunger body (Aisi 303).

Surface finish:

Smooth.

Colour:

W832:

Black-oxide treated.

W832CIN:

Natural.

Nose pin:

W832:

Turned hardened and black-oxide treated steel nose pin.

W832CIN:

Turned stainless steel nose pin (Aisi 303).

Spring:

W832:

Harmonic steel spring.

W832CIN:

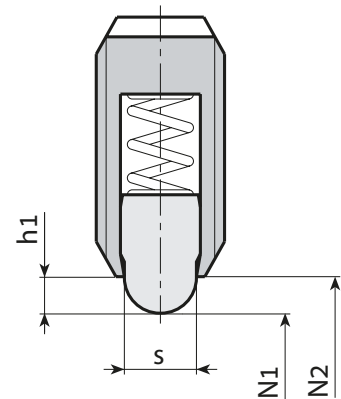
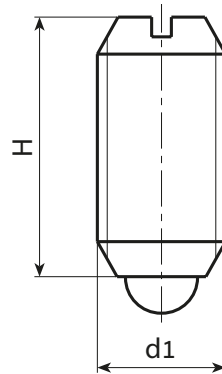
Stainless steel spring (Aisi 301).

Type of spring thrust:

Normal.

Special requests:

- None.



Version W832: black-oxide treated steel

Stock availability as % (🛒)
90% (●) - 40% (●) - 5% (●)

🛒	art.	s	H	h1	N1 (N)	N2 (N)	d1 _{6H}	g
●	W832.VBM04	1.8	9	1.5	6	20	M4	0.5
●	W832.VBM05	2.4	12	2	6	20	M5	1
●	W832.VBM06	2.7	14	2	7	20	M6	1.7
●	W832.VBM08	4	16	2	15	30	M8	4
●	W832.VBM10	4.5	19	2.5	20	35	M10	7
●	W832.VBM12	6	22	3.5	30	55	M12	13
●	W832.VBM16	8.5	24	4.5	45	100	M16	24
●	W832.VBM20	10	30	6.5	60	120	M20	46

Version W832CIN - stainless steel (Aisi 303)



🛒	art.	s	H	h1	N1 (N)	N2 (N)	d1 _{6H}	g
●	W832.INM04CIN	1.8	9	1.5	6	20	M4	0.5
●	W832.INM05CIN	2.4	12	2	6	20	M5	1
●	W832.INM06CIN	2.7	14	2	7	20	M6	1.7
●	W832.INM08CIN	4	16	2	15	30	M8	4
●	W832.INM10CIN	4.5	19	2.5	20	35	M10	7
●	W832.INM12CIN	6	22	3.5	30	55	M12	13
●	W832.INM16CIN	8.5	24	4.5	45	100	M16	24
●	W832.INM20CIN	10	30	6.5	60	120	M20	46

