

W830

THREADED STEEL SPRING PLUNGER WITH SLOTTED END



Materials:

W830:

Steel plunger body with property class 5.8.

W830CIN:

Stainless steel plunger body (Aisi 303).

Surface finish:

Smooth.

Colour:

W830:

Black-oxide treated.

W830CIN:

Natural.

Ball:

Hardened stainless steel ball (bearing type) (Aisi 420).

Spring:

W830:

Harmonic steel spring.

W830CIN:

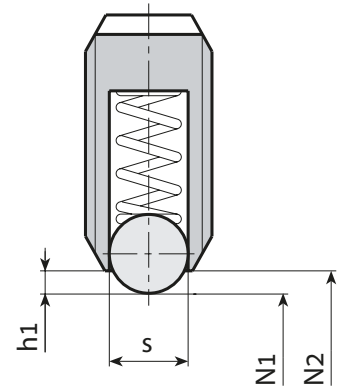
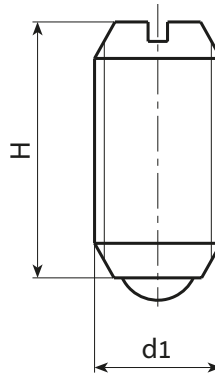
Stainless steel spring (Aisi 301).

Type of spring thrust:

Normal.

Special requests:

- None.



Version W830: black-oxide treated steel

Stock availability as % (🛒)
90% (●) -40% (●) -5% (●)

| art. | s | H | h1 | N1 (N) | N2 (N) | d1 _{6H} | g |
|------------|-----|----|-----|--------|--------|------------------|-----|
| W830.VBM03 | 1.5 | 7 | 0.5 | 1.5 | 3 | M3 | 0.2 |
| W830.VBM04 | 2.5 | 9 | 0.8 | 4 | 10 | M4 | 0.4 |
| W830.VBM05 | 3 | 12 | 0.9 | 6 | 11 | M5 | 0.9 |
| W830.VBM06 | 3.5 | 14 | 1 | 9 | 13 | M6 | 1.5 |
| W830.VBM08 | 5 | 16 | 1.5 | 15 | 30 | M8 | 3.5 |
| W830.VBM10 | 6 | 19 | 2 | 20 | 35 | M10 | 7 |
| W830.VBM12 | 8 | 22 | 2.5 | 30 | 55 | M12 | 10 |
| W830.VBM16 | 10 | 24 | 3.5 | 65 | 125 | M16 | 24 |
| W830.VBM20 | 12 | 30 | 4.5 | 80 | 160 | M20 | 44 |

Version W830 CIN - stainless steel (Aisi 303).



| art. | s | H | h1 | N1 (N) | N2 (N) | d1 _{6H} | g |
|---------------|-----|----|-----|--------|--------|------------------|-----|
| W830.INM03CIN | 1.5 | 7 | 0.5 | 1.5 | 3 | M3 | 0.2 |
| W830.INM04CIN | 2.5 | 9 | 0.8 | 4 | 10 | M4 | 0.4 |
| W830.INM05CIN | 3 | 12 | 0.9 | 6 | 11 | M5 | 0.9 |
| W830.INM06CIN | 3.5 | 14 | 1 | 9 | 13 | M6 | 1.5 |
| W830.INM08CIN | 5 | 16 | 1.5 | 15 | 30 | M8 | 3.5 |
| W830.INM10CIN | 6 | 19 | 2 | 20 | 35 | M10 | 7 |
| W830.INM12CIN | 8 | 22 | 2.5 | 30 | 55 | M12 | 10 |
| W830.INM16CIN | 10 | 24 | 3.5 | 65 | 125 | M16 | 24 |
| W830.INM20CIN | 12 | 30 | 4.5 | 80 | 160 | M20 | 44 |



Arbel Agencies LTD.
11 Ba'alei Hamelacha st. Qiryat Bialik P.O.B 1095, ZIP 2751311, ISRAEL
+972(0)48736969 ☎ +972(0)48730708 📠 info@arbel-ltd.com 🌐 www.arbel-ltd.com 🌐

