

# W806



## KNOB WITH SMOOTH WELDABLE BLACK OXIDE TREATED STEEL PLUNGER

### Materials:

(4) Reinforced polyamide lobed knob.  
Resistant to oils and greases.

### Surface finish:

(4) Satin.  
(1-2) Smooth.

### Colour:

(4) Black (RAL 9011).  
(1-2) Black-oxide treated.

### Inserts:

(3) Galvanised steel spring.  
(2) Smooth bored body in weldable steel.  
(1) Hardened high resistance steel plunger pin.

### ATTENTION:

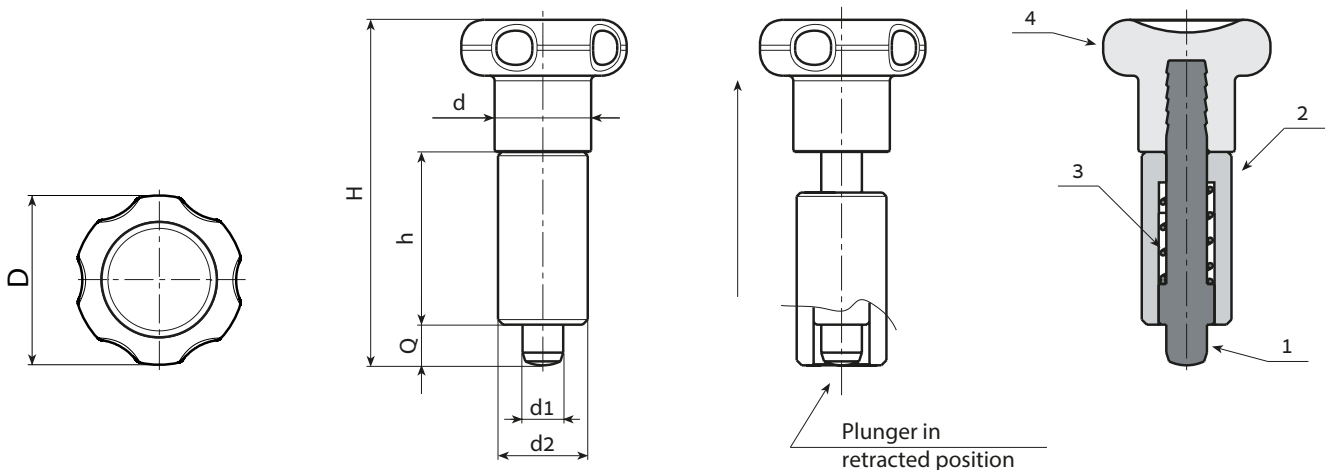
> We recommend an H7 tolerance for the plunger stem bore.

### Special Requests:

- On request and for special quantities the knob can be supplied in the colours indicated in the table [page].

### ATTENTION:

To avoid problems when welding the steel body to the machinery, the plastic knob is supplied disassembled. Screw in the knob once the part has cooled down.



Stock availability as % (🛒)  
90% (●) - 40% (●) - 5% (●)

🛒	Art.	D	H	h	d2	d	d1 -0,02 -0,04	Q	ḡ
●	W806.Q0501	22	45	22	12	12	5	5	23
●	W806.Q0601	27	54	26	14	14	6	6	40
●	W806.Q0801	33	68	34	18	19	8	8	84



Arbel Agencies LTD.  
11 Ba'alei Hamelacha st. Qiryat Bialik P.O.B 1095, ZIP 2751311, ISRAEL  
+972(0)48736969 ☎ +972(0)48730708 📠 info@arbel-ltd.com 🌐 www.arbel-ltd.com 🌐

