

# W804



## KNOB WITH STEEL INDEXING PLUNGER WITHOUT RING NUT

### Materials:

- (3) Stainless steel spring (Aisi 301).
- (4) Reinforced polyamide lobed knob. Cannot be disassembled. Resistant to oils and greases.

### W804:

- (2) Threaded high-resistance steel body with seat for key.
- (1) Hardened high resistance steel plunger pin.

### W804CIN:

- (2) Threaded stainless steel body (Aisi 303), with seat for key.
- (1) Stainless steel plunger pin (Aisi 303).

### Surface finish:

- (4) Satin.
- (1-2) Smooth.

### Colour:

- (4) Black (RAL 9011).

### W804:

- (1-2) Black-oxide treated.

### W804CIN:

- (1-2) Natural.

### Locking key:

Upon request the locking key with article code W807 is available.

### ATTENTION:

> We recommend an H7 tolerance for the plunger stem bore.

### Special Requests:

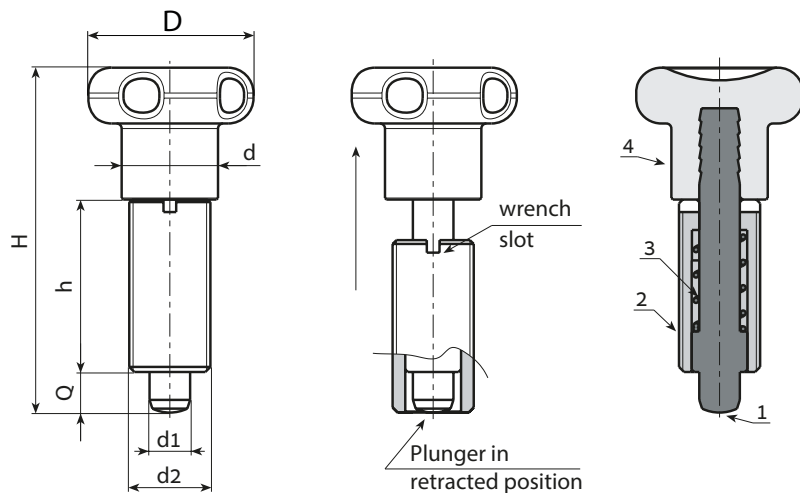
- On request and for special quantities the knob can be supplied in the colours indicated in the table [page].
- Upon request locking keys are available.



W807



W805+W807



### Version W804 - black-oxide treated steel

Stock availability as % (🛒)  
90% (●) - 40% (●) - 5% (●)

🛒	Art.	D	H	h	d2	d	d1 -0,02 -0,04	Q	g	Key
●	W804.Q0501	22	45	22	M10x1	12	5	5	16	W807.05
●	W804.Q0601	27	54	26	M12x1,5	14	6	6	28	W807.06
●	W804.Q0801	33	68	34	M16x1,5	19	8	8	64	W807.08
●	W804.Q1001	33	79	43	M20x1,5	19	10	10	113	W807.10

### Version W804 CIN - stainless steel (Aisi 303)



🛒	Art.	D	H	h	d2	d	d1 -0,02 -0,04	Q	g	Key
●	W804.I0501CIN	22	45	22	M10x1	12	5	5	16	W807.05
●	W804.I0601CIN	27	54	26	M12x1,5	14	6	6	28	W807.06
●	W804.I0801CIN	33	68	34	M16x1,5	19	8	8	64	W807.08
●	W804.I1001CIN	33	79	43	M20x1,5	19	10	10	113	W807.10

