

# W802

## STEEL INDEXING PLUNGER



### Materials:

(3) Stainless steel spring (Aisi 301).

### W802:

(2) Threaded high-resistance steel hexagon ring nut.

(1) Hardened high resistance steel plunger pin.

### W802CIN:

(2) Threaded stainless steel hexagon ring nut (Aisi 303).

(1) Stainless steel plunger pin (Aisi 303).

### Surface finish:

Smooth.

### Colour:

W802: Black-oxide treated.

W802CIN: Natural.

### ATTENTION:

> We recommend an H7 tolerance for the plunger stem bore.

### Special Requests:

- None.

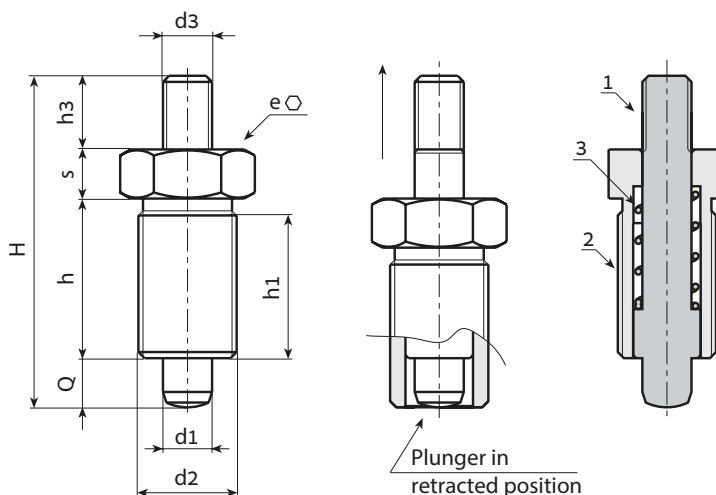
### Note:

This plunger version can be coupled with any hanwheel with threaded insert, to be ordered separately (see additional pictures).



W802+F186

W802+H765



Stock availability as % (🛒)  
90% (●) -40% (●) -5% (●)

### Version W802 - black-oxide treated steel

🛒	Art.	H	h	h1	d2	d3	h3	e	s	d1 -0,02 -0,04	Q	📦
●	W802.R05	33	17	15	M10x1	M04	6	12	5	5	5	13
●	W802010.R05M05	33	17	15	M10x1	M05	6	12	5	5	5	13
●	W802.R06	42	20	18	M12x1,5	M05	10	14	6	6	6	22
●	W802012.R06M06	42	20	18	M12x1,5	M06	10	14	6	6	6	22
●	W802.R08	54	26	23	M16x1,5	M08	12	19	8	8	8	54
●	W802.R10	65	33	30	M20x1,5	M10	12	22	10	10	10	104
●	W802020.R10M08	65	33	30	M20x1,5	M08	12	22	10	10	10	104

### Version W802 CIN - stainless steel (Aisi 303)



🛒	Art.	H	h	h1	d2	d3	h3	e	s	d1 -0,02 -0,04	Q	📦
●	W802.i05CIN	33	17	15	M10x1	M04	6	12	5	5	5	13
●	W802010.i05M05CIN	33	17	15	M10x1	M05	6	12	5	5	5	13
●	W802.i06CIN	42	20	18	M12x1,5	M05	10	14	6	6	6	22
●	W802012.i06M06CIN	42	20	18	M12x1,5	M06	10	14	6	6	6	22
●	W802.i08CIN	54	26	23	M16x1,5	M08	12	19	8	8	8	54
●	W802.i10CIN	65	33	30	M20x1,5	M10	12	22	10	10	10	104
●	W802020.i10M08CIN	65	33	30	M20x1,5	M08	12	22	10	10	10	104

### Arbel Agencies LTD.



11 Ba'alei Hamelacha st. Qiryat Bialik P.O.B 1095, ZIP 2751311, ISRAEL  
+972(0)48736969 ☎ +972(0)48730708 📠 info@arbel-ltd.com 📧 www.arbel-ltd.com 🌐

