

W800

KNOB WITH STEEL INDEXING PLUNGER



Materials:

- (3) Stainless steel spring (Aisi 301).
- (4) Reinforced polyamide lobed knob. Cannot be disassembled. Resistant to oils and greases.

W800:

- (2) Threaded high-resistance steel hexagon ring nut.
- (1) Hardened high resistance steel plunger pin.

W800CIN:

- (2) Threaded stainless steel hexagon ring nut (Aisi 303).
- (1) Stainless steel plunger pin (Aisi 303).

Surface finish:

- (4) Satin.
- (1-2-3) Smooth.

Colour:

- (4) Black (RAL 9011).

W800:

- (1-2) Black-oxide treated.

W800CIN:

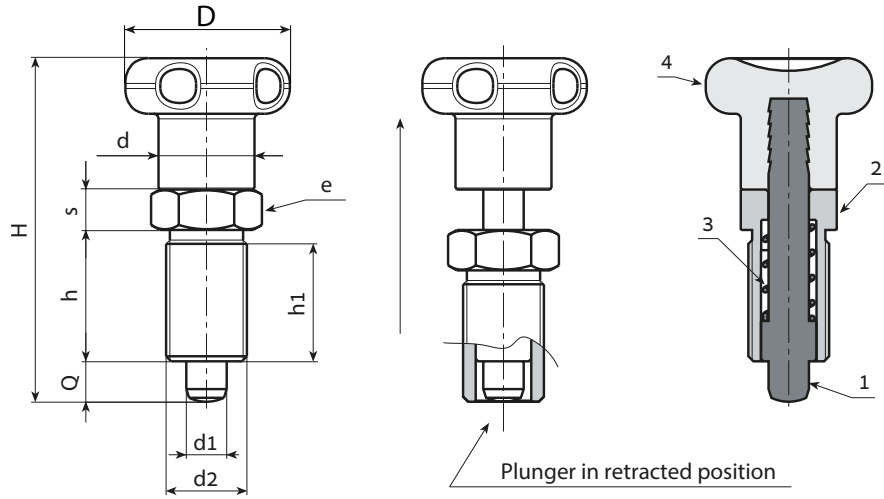
- (1-2) Natural.

ATTENTION:

- > We recommend an H7 tolerance for the plunger stem bore.

Special Requests:

- On request and for special quantities the knob can be supplied in the colours indicated in the table [page].



Version W800 - black-oxide treated steel

Stock availability as % (🛒)
90% (●) - 40% (●) - 5% (●)

🛒	Art.	D	H	h	h1	d2	d	e	s	d1 -0,02 -0,04	Q	📦
●	W800.Q0501	22	45	17	15	M10x1	12	12	5	5	5	18
●	W800.Q0601	27	54	20	18	M12x1,5	14	14	6	6	6	31
●	W800.Q0801	33	68	26	23	M16x1,5	19	19	8	8	8	71
●	W800.Q1001	33	79	33	30	M20x1,5	19	22	10	10	10	123

Version W800 CIN - stainless steel (Aisi 303)



🛒	Art.	D	H	h	h1	d2	d	e	s	d1 -0,02 -0,04	Q	📦
●	W800.I0501CIN	22	45	17	15	M10x1	12	12	5	5	5	18
●	W800.I0601CIN	27	54	20	18	M12x1,5	14	14	6	6	6	31
●	W800.I0801CIN	33	68	26	23	M16x1,5	19	19	8	8	8	71
●	W800.I1001CIN	33	79	33	30	M20x1,5	19	22	10	10	10	123

