

# W798

## STEEL INDEXING PLUNGER WITH RING - WITH NUT



### Materials:

- (1) Stainless steel plunger pin (Aisi 303).
- (4) Harmonic stainless steel spring ring.

### W798:

- (2) Indexing plunger body in free-cutting steel.
- (3) Galvanised steel spring.
- (5) Threaded steel lock nut (UNI 5589).

### W798 CIN:

- (2) Stainless steel (Aisi 303) indexing plunger body.
- (3) Stainless steel spring (Aisi 301).
- (5) Threaded stainless steel lock nut (Aisi 304) (UNI 5589).

### Surface finish:

#### W798:

- (2-5) Galvanised.
- (1-4) Natural.

#### W798 CIN:

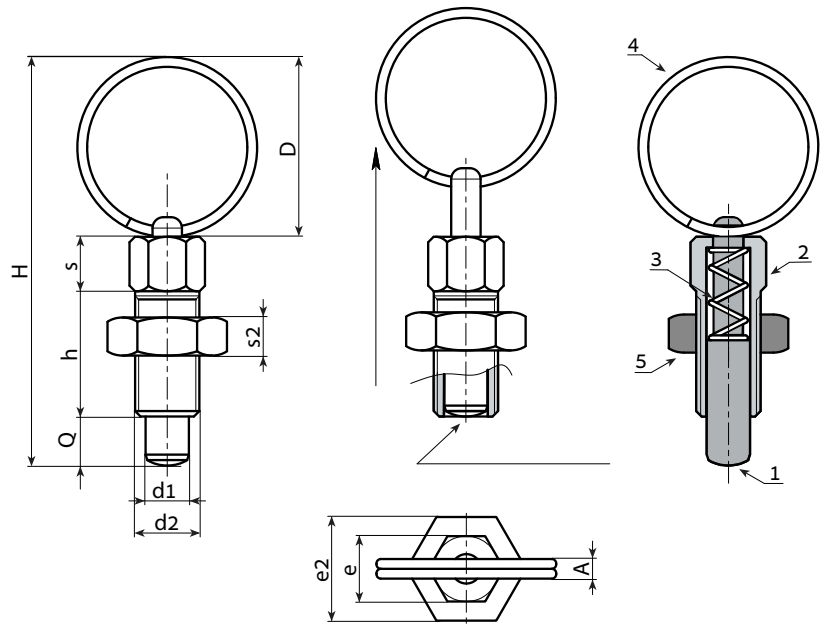
- (1-2-4-5) Natural.

### ATTENTION:

- > We recommend an H7 tolerance for the plunger stem bore.
- > The nut is supplied assembled.

### Special Requests:

- On request the nut can be supplied disassembled.



### Version W798 - galvanised steel

Stock availability as % (🛒)  
90% (●) - 40% (●) - 5% (●)

🛒	Art.	D	H	h	A	e	s	d2	e2	s2	d1 -0,02 -0,04	Q	📦
●	W798.J04	15	35.5	12	2	6	4.5	M6	10	4	4	4	7
●	W798.J05	19	46	16	2.5	8	6	M8	13	5	5	5	16
●	W798.J06	27	60.5	20	3	10	7.5	M10	17	6	6	6	31
●	W798.J08	33	75	24	3.5	12	9	M12	19	7	8	8	50

### Version W798 CIN - stainless steel (Aisi 303)



🛒	Art.	D	H	h	A	e	s	d2	e2	s2	d1 -0,02 -0,04	Q	📦
●	W798.J04CIN	15	35.5	12	2	6	4.5	M6	10	4	4	4	7
●	W798.J05CIN	19	46	16	2.5	8	6	M8	13	5	5	5	16
●	W798.J06CIN	27	60.5	20	3	10	7.5	M10	17	6	6	6	31
●	W798.J08CIN	33	75	24	3.5	12	9	M12	19	7	8	8	50

