

W797



STEEL INDEXING PLUNGER WITH RING

Materials:

- (1) Stainless steel plunger pin (Aisi 303).
- (4) Harmonic stainless steel spring ring.

W797:

- (2) Indexing plunger body in free-cutting steel.
- (3) Galvanised steel spring.

W797CIN:

- (2) Stainless steel (Aisi 303) indexing plunger body.
- (3) Stainless steel spring (Aisi 301).

Surface finish:

W797:

- (2) Galvanised.
- (4) Natural.

W797CIN:

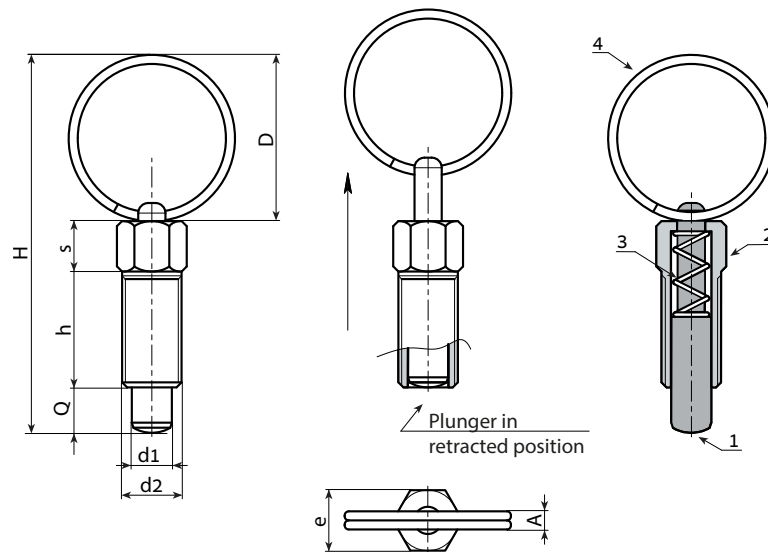
- (1-2-4) Natural.

ATTENTION:

> We recommend an H7 tolerance for the plunger stem bore.

Special Requests:

- None.



Version W797 - galvanised steel

Stock availability as % (🛒)
90% (●) -40% (●) -5% (●)

🛒	Art.	D	H	h	A	e	s	d2	d1 -0,02 -0,04	Q	g
●	W797.J04	15	35.5	12	2	6	4.5	M6	4	4	5
●	W797.J05	19	46	16	2.5	8	6	M8	5	5	11
●	W797.J06	27	60.5	20	3	10	7.5	M10	6	6	23
●	W797.J08	33	75	24	3.5	12	9	M12	8	8	38

Version W797 CIN - stainless steel (Aisi 303)



🛒	Art.	D	H	h	A	e	s	d2	d1 -0,02 -0,04	Q	g
●	W797.J04CIN	15	35.5	12	2	6	4.5	M6	4	4	5
●	W797.J05CIN	19	46	16	2.5	8	6	M8	5	5	11
●	W797.J06CIN	27	60.5	20	3	10	7.5	M10	6	6	23
●	W797.J08CIN	33	75	24	3.5	12	9	M12	8	8	38

Arbel Agencies LTD.



11 Ba'alei Hamelacha st. Qiryat Bialik P.O.B 1095, ZIP 2751311, ISRAEL
+972(0)48736969 ☎ +972(0)48730708 📠 info@arbel-ltd.com 📧 www.arbel-ltd.com 🌐

