

# W795

## KNOB WITH STEEL INDEXING PLUNGER



### Materials:

- (1) Stainless steel plunger pin (Aisi 303).
- (4) Reinforced polyamide lobed knob. Cannot be disassembled. Resistant to oils and greases.

### W795:

- (2) Indexing plunger body in free-cutting steel.
- (3) Galvanised steel spring.

### W795 CIN:

- (2) Stainless steel (Aisi 303) indexing plunger body.
- (3) Stainless steel spring (Aisi 301).

### Surface finish:

- (4) Satin.
- (1-2-3) Smooth.

### Colour:

- (4) Black (RAL 9011).

### W795:

- (2) Galvanised.

### W795 CIN:

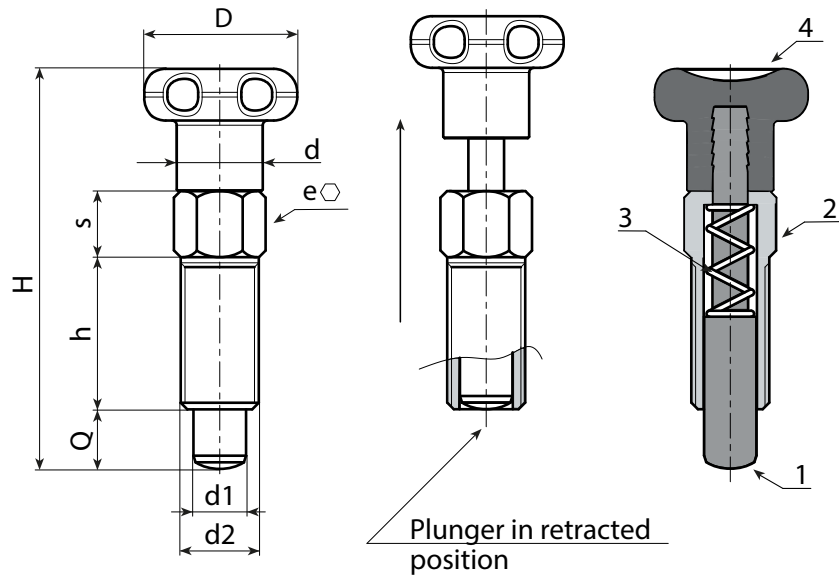
- (1-2) Natural.

### ATTENTION:

- > We recommend an H7 tolerance for the plunger stem bore.

### Special Requests:

- None.



### Version W795 - galvanised steel

Stock availability as % (🛒)  
90% (●) - 40% (●) - 5% (●)

🛒	Art.	D	d	H	h	e	s	d2	d1 -0,02 -0,04	Q	g
●	W795.J0401	14	7	33	12	6	5	M6	4	4	5
●	W795.J0501	18	9	42	16	8	6	M8	5	5	11
●	W795.J0601	22	11	52	20	10	7,5	M10	6	6	23
●	W795.J0801	24	13	61	24	12	9	M12	8	8	38

### Version W795 CIN - stainless steel (Aisi 303)



🛒	Art.	D	d	H	h	e	s	d2	d1 -0,02 -0,04	Q	g
●	W795.J0401CIN	14	7	33	12	6	5	M6	4	4	5
●	W795.J0501CIN	18	9	42	16	8	6	M8	5	5	11
●	W795.J0601CIN	22	11	52	20	10	7,5	M10	6	6	23
●	W795.J0801CIN	24	13	61	24	12	9	M12	8	8	38

### Arbel Agencies LTD.



11 Ba'alei Hamelacha st. Qiryat Bialik P.O.B 1095, ZIP 2751311, ISRAEL  
+972(0)48736969 ☎ +972(0)48730708 📠 info@arbel-ltd.com 📧 www.arbel-ltd.com 🌐

