

W794

KNOB WITH LOCKING STEEL INDEXING PLUNGER - WITH NUT



Materials:

- (1) Stainless steel plunger pin (Aisi 303).
- (4) Reinforced polyamide lobed knob. Cannot be disassembled. Resistant to oils and greases.

W794:

- (2) Locking indexing plunger body in free-cutting steel.
- (3) Galvanised steel spring.
- (5) Threaded steel lock nut (UNI 5589).

W794 CIN:

- (2) Stainless steel (Aisi 303) locking indexing plunger body.
- (3) Stainless steel spring (Aisi 301).
- (5) Threaded stainless steel lock nut (Aisi 304) (UNI 5589).

Surface finish:

- (4) Satin.
- (1-2-5) Smooth.

Colour:

- (4) Black (RAL 9011).

W794:

- (2-5) Galvanised.

W794 CIN:

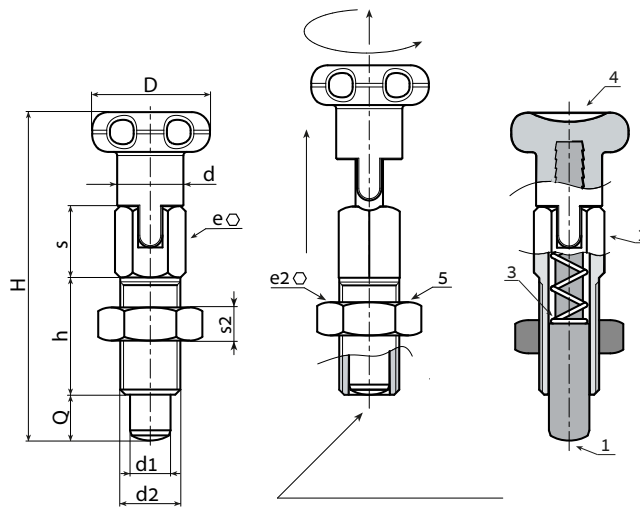
- (1-2-5) Natural.

ATTENTION:

- > We recommend an H7 tolerance for the plunger stem bore.
- > The nut is supplied assembled.

Special Requests:

- On request the nut can be supplied disassembled.



Version W794 - galvanised steel

Stock availability as % (🛒)
90% (●) - 40% (●) - 5% (●)

🛒	Art.	D	d	H	h	e	s	d2	e2	s2	d1 -0,02 -0,04	Q	📦
●	W794.J0401	14	7	36	12	6	8	M6	10	4	4	4	7
●	W794.J0501	18	9	46	16	8	10	M8	13	5	5	5	16
●	W794.J0601	22	11	55	20	10	11	M10	17	6	6	6	32
●	W794.J0801	24	13	58	24	12	14	M12	19	7	8	8	51

Version W794 CIN - stainless steel (Aisi 303)

INOX

🛒	Art.	D	d	H	h	e	s	d2	e2	s2	d1 -0,02 -0,04	Q	📦
●	W794.J0401CIN	14	7	36	12	6	8	M6	10	4	4	4	7
●	W794.J0501CIN	18	9	46	16	8	10	M8	13	5	5	5	16
●	W794.J0601CIN	22	11	55	20	10	11	M10	17	6	6	6	32
●	W794.J0801CIN	24	13	58	24	12	14	M12	19	7	8	8	51