

W780

KNOB WITH SHORT STEEL INDEXING PLUNGER



Materials:

(4) Reinforced polyamide lobed knob. Cannot be disassembled. Resistant to oils and greases.

(5) Central cap in polyamide. Resistant to oils and greases.

W780:

(3) Galvanised steel spring.

(2) Threaded high-resistance steel hexagon ring nut.

(1) Hardened high resistance steel plunger pin.

(6) Galvanised steel knob fixing screw (ISO 7046).

W780CIN:

(3) Stainless steel spring (Aisi 301).

(2) Threaded stainless steel hexagon ring nut (Aisi 303).

(1) Stainless steel plunger pin (Aisi 303).

(6) Galvanised steel knob fixing screw (ISO 7046).

Surface finish:

(4-5) Satin.

(1-2-3) Smooth.

Colour:

(4) Black (RAL 9011).

(5) Grey (RAL 7035).

W780:

(1-2) Black-oxide treated.

W780CIN:

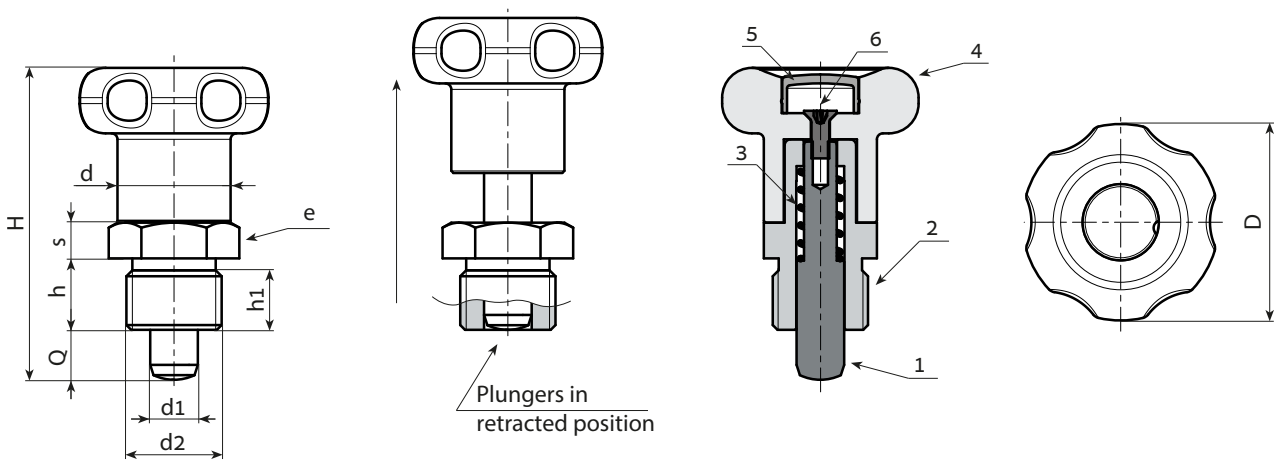
(1-2) Natural.

ATTENTION:

> We recommend an H7 tolerance for the plunger stem bore.

Special Requests:

- On request and for special quantities the knob can be supplied in the colours indicated in the table [page].



Version W780 - black-oxide treated steel



Stock availability as % (🛒)
90% (●) -40% (●) -5% (●)

🛒	Art.	D	H	h	h1	d2	d	e	s	d1 -0,02 -0,04	Q	📦
●	W780.Q0601	27	43	10	8	M12x1,5	14	17	5	6	6	31
●	W780.Q0801	33	52	12	10	M16x1,5	19	19	6	8	8	57

Version W780 CIN - stainless steel (Aisi 303)



🛒	Art.	D	H	h	h1	d2	d	e	s	d1 -0,02 -0,04	Q	📦
●	W780.I0601CIN	27	43	10	8	M12x1,5	14	17	5	6	6	31
●	W780.I0801CIN	33	52	12	10	M16x1,5	19	19	6	8	8	57