

W770



GALVANIZED STEEL HEXAGONAL PLUNGER WITH SMOOTH NOSE PIN

Materials:

- (2) Plunger body in free-cutting steel.
- (4) Turned steel closing cap, with hexagonal key seat.
- (1) Turned free-cutting steel nose pin.

Surface finish:

Smooth.

Colour:

Standard blue galvanising.

Spring:

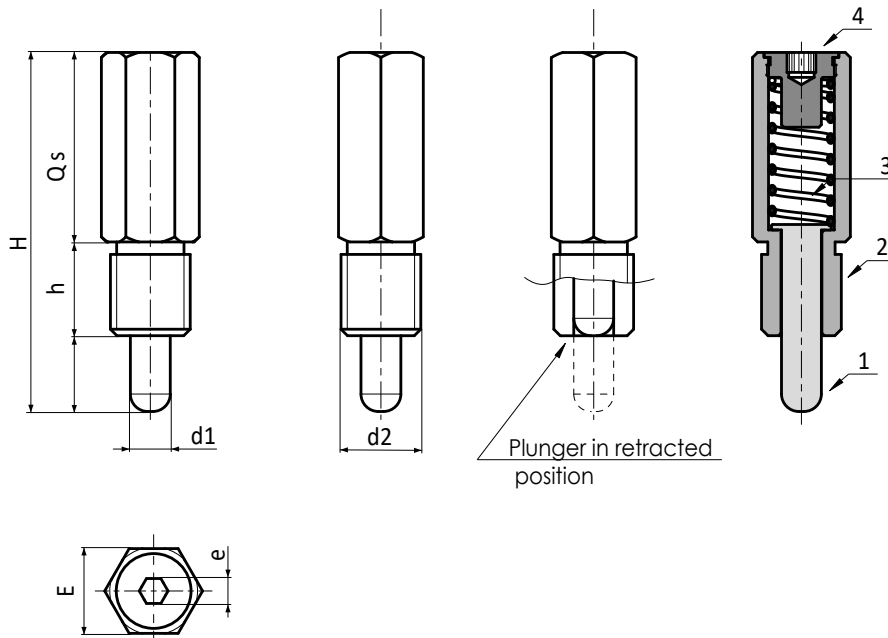
- (3) Stainless steel spring (Aisi 302).

Special Requests:

- None.

ATTENTION:

> We recommend an H7 tolerance for the plunger stem bore.



Stock availability as % (🛒)
90% (●) - 40% (●) - 5% (●)

| 🛒 | Art. | E | H | h | s | e | d2 | d1 -0,04 -0,08 | Q | 🛒 |
|---|---------------|----|----|----|----|---|-----|----------------|----|----|
| ● | W77017.Q08X15 | 17 | 72 | 19 | 38 | 5 | M16 | 08 | 15 | 72 |



Arbel Agencies LTD.
11 Ba'alei Hamelacha st. Qiryat Bialik P.O.B 1095, ZIP 2751311, ISRAEL
+972(0)48736969 ☎ +972(0)48730708 📠 info@arbel-ltd.com 📧 www.arbel-ltd.com 🌐

