

W735CIN W736CIN



INOX

KNOB WITH FULL STAINLESS STEEL INDEXING PLUNGER - WITH OR WITHOUT NUT

Materials:

- (1) Stainless steel plunger pin (Aisi 303).
- (2) Stainless steel (Aisi 303) indexing plunger body.
- (3) Stainless steel spring (Aisi 301).
- (4) Turned stainless steel lobed knob (Aisi 303).
- (5) Threaded stainless steel lock nut (Aisi 304) (UNI 5589) (only for version W736CIN).

Surface finish:

Natural.

Colour:

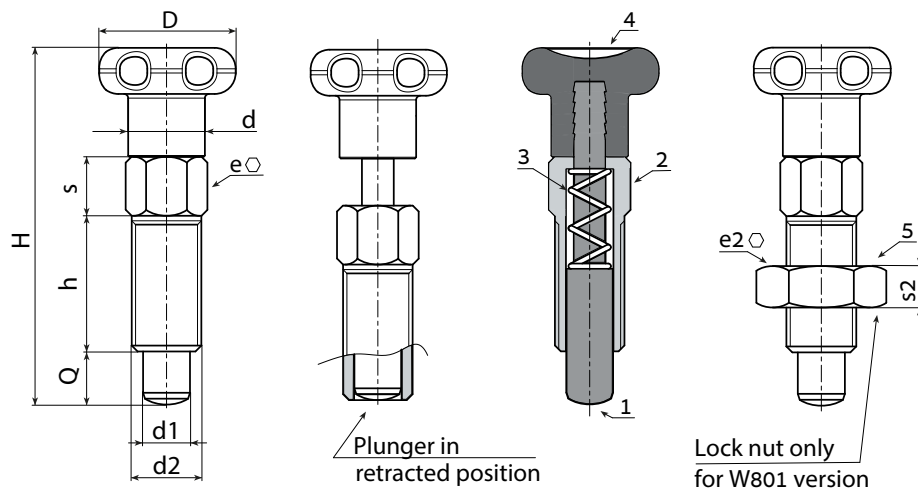
Natural.

ATTENTION:

- > We recommend an H7 tolerance for the plunger stem bore.
- > Nut supplied assembled (only for version W736CIN).

Special Requests:

- On request the plunger can be supplied completely disassembled.
- On request the nut can be supplied disassembled.



Version W735CIN - without nut

Art.	D	d	H	h	e	s	d2	d1-0,02 -0,04	Q	g
W735.I05CIN	18	9	42	16	8	6	M8	5	5	21
W735.I06CIN	22	11	52	20	10	7,5	M10	6	6	23
W735.I08CIN	24	13	61	24	12	9	M12	8	8	69

Version W736CIN - with nut

Art.	D	d	H	h	e	s	d2	e2	s2	d1-0,02 -0,04	Q	g
W736.I05CIN	18	9	42	16	8	6	M8	13	5	5	5	30
W736.I06CIN	22	11	52	20	10	7,5	M10	17	6	6	6	55
W736.I08CIN	24	13	61	24	12	9	M12	19	7	8	8	71

Stock availability as % (🛒)
90% (●) -40% (●) -5% (●)



Arbel Agencies LTD.
11 Ba'alei Hamelacha st. Qiryat Bialik P.O.B 1095, ZIP 2751311, ISRAEL
+972(0)48736969 ☎ +972(0)48730708 📠 info@arbel-ltd.com 📧 www.arbel-ltd.com 🌐

