

# W720CIN W721CIN



INOX

## KNOB WITH FULL STAINLESS STEEL INDEXING PLUNGER WITH OR WITHOUT NUT

### Materials:

- (1) Stainless steel plunger pin (Aisi 303).
- (2) Threaded stainless steel hexagon ring nut (Aisi 303).
- (3) Stainless steel spring (Aisi 301).
- (4) Turned stainless steel lobed knob (Aisi 303).
- (6) Stainless steel fixing screw (Aisi 304).

### Surface finish:

Natural.

### Colour:

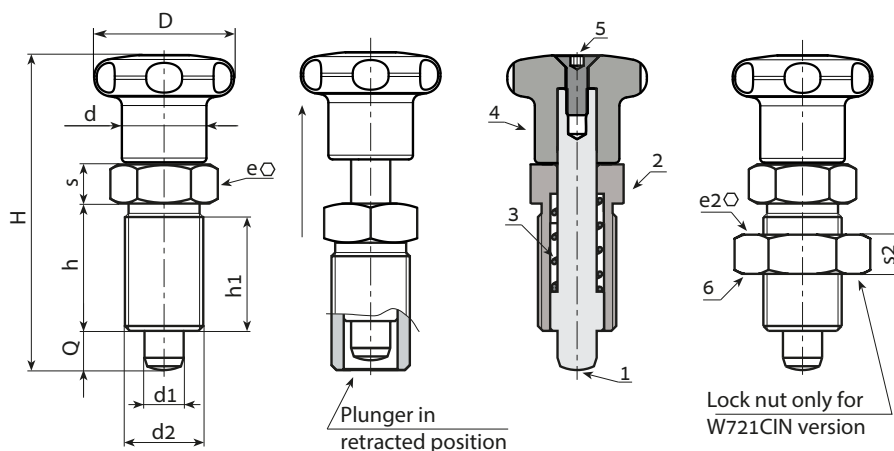
Natural.

### ATTENTION:

> We recommend an H7 tolerance for the plunger stem bore.

### Special Requests:

- Upon request and for special quantities the plunger can be supplied completely disassembled.



### Version W720CIN - without nut

Stock availability as % (🛒)  
90% (●) - 40% (●) - 5% (●)

🛒	Art.	D	H	h	h1	d2	d	e	s	d1 -0,02 -0,04	Q	📦
-	W720.I0501CIN	22	45	17	15	M10x1	12	12	5	5	5	-
-	W720.I0601CIN	27	54	20	18	M12x1,5	14	14	6	6	6	-
-	W720.I0801CIN	32	67	26	23	M16x1,5	19	19	8	8	8	-
●	W720.I1001CIN	33	79	33	30	M20x1,5	20	22	10	10	10	190

### Version W721CIN - with nut

🛒	Art.	D	H	h	h1	d2	d	e	s	e2	s2	d1 -0,02 -0,04	Q	📦
-	W721.I0501CIN	22	45	17	15	M10x1	12	12	5	17	6	5	5	-
-	W721.I0601CIN	27	54	20	18	M12x1,5	14	14	6	19	7	6	6	-
-	W721.I0801CIN	32	67	26	23	M16x1,5	19	19	8	24	8	8	8	-
●	W721.I1001CIN	33	79	33	30	M20x1,5	20	22	10	30	9	10	10	220

### Arbel Agencies LTD.



11 Ba'alei Hamelacha st. Qiryat Bialik P.O.B 1095, ZIP 2751311, ISRAEL  
+972(0)48736969 ☎ +972(0)48730708 📠 info@arbel-ltd.com 📧 www.arbel-ltd.com 🌐

