

W701



T-LEVER WITH FIXED HANDLE AND THREADED HOLE

Materials:

Steel with strength class 5.8.

Surface finish:

Turned with low roughness.

Colour:

Black-oxide treatment.

Handle fixing method:

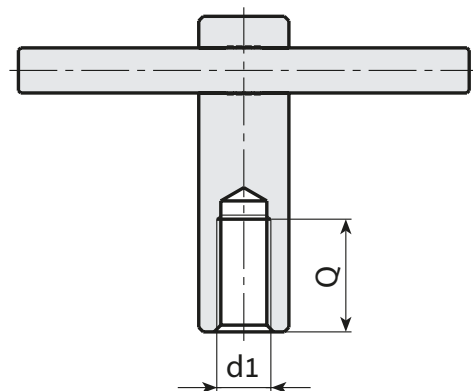
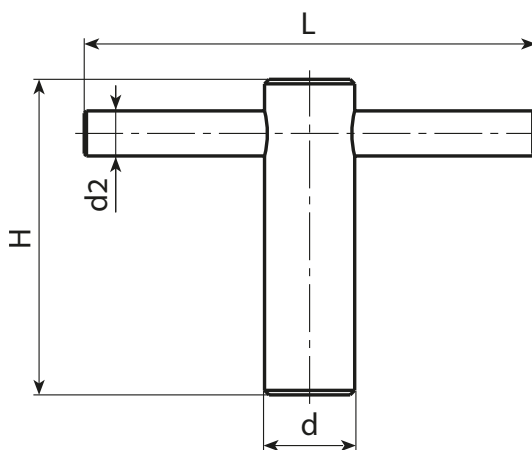
Push-fit. Neither movable, nor removable.

Hole:

Female threaded hole machined from solid metal (thread tolerance 6H).

Special Requests:

- Upon request and for special quantities levers can be supplied on customer's drawing with hole diameter d1.
- Upon request and for special quantities levers can be supplied on customer's drawing with different surface treatments.



Stock availability as % (🛒)
90% (●) - 40% (●) - 5% (●)

🛒	art.	d	L	H	d2	d1 _{6H}	Q	g
●	W701085.VM10	18	85	62	8	M10	25	145
●	W701105.VM12	20	105	72	10	M12	30	208
●	W701125.VM16	24	125	87	12	M16	40	330
●	W701145.VM20	30	145	97	16	M20	45	573



Arbel Agencies LTD.
11 Ba'alei Hamelacha st. Qiryat Bialik P.O.B 1095, ZIP 2751311, ISRAEL
+972(0)48736969 ☎ +972(0)48730708 📠 info@arbel-ltd.com 🌐 www.arbel-ltd.com 🌐

