

W698

QUICK RELEASE PLASTIC KNOB DETENT PIN



Materials:

- (1) Reinforced polyamide. Resistant to oils and greases.
- (2) Free-cutting steel.

Surface finish:

- (1) Satin.
- (2) Turned.

Colour:

- (1) Black (RAL 9011).
- (2) Standard galvanising.

Inserts:

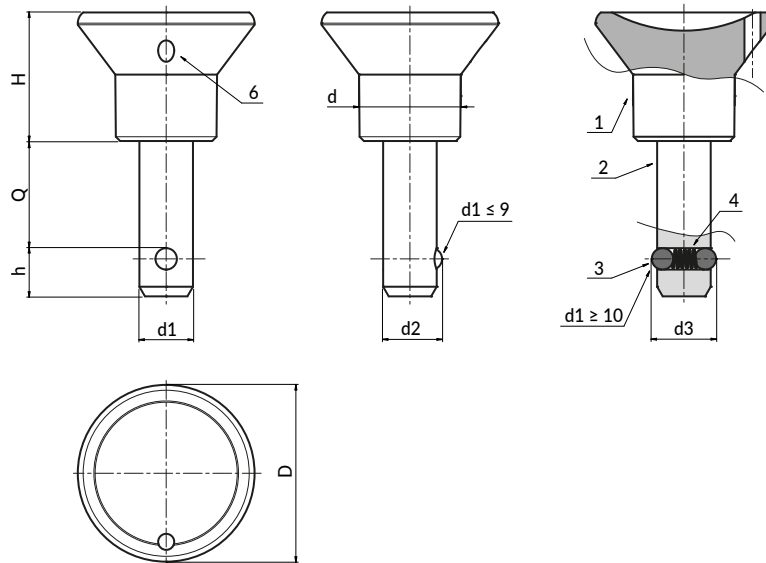
- (4) Galvanised steel spring.
- (3) Stainless steel balls (Aisi 440C).
- (1) Turned stem with hole for spring and ball.

Attention:

- > Two retaining balls are mounted in a stem with diameter equal to or greater than 10mm.
- > We recommend making the hole for the stem with tolerance H11.

Special Requests:

- None.



Stock availability as % (🛒)
90% (●) - 40% (●) - 5% (●)

Art.	D	d	H	h	d2	d3	d1 (-0.04 -0.08)	Shear strength to double shear strength max. kN	Q (+0.6)	g
W698025.TD06X..01	25	14	18	7	6.5	-	6	22	10-15-20-25-30-40-50	12-12-13-14-15-18-21
W698025.TD08X..01	25	14	18	8	8.75	-	8	38	15-20-25-30-40-50	18-19-20-21-25-31
W698033.TD10X..01	33	19	24	9	-	12	10	60	15-20-25-30-40-50	29-32-37-38-46-53
W698033.TD12X..01	33	19	24	10	-	14.5	12	86	20-30-40-50	40-51-60-69

Enter the selected stud length in place of the two dots . . in the item code.



Arbel Agencies LTD.

11 Ba'alei Hamelacha st. Qiryat Bialik P.O.B 1095, ZIP 2751311, ISRAEL
+972(0)48736969 ☎ +972(0)48730708 📠 info@arbel-ltd.com 📧 www.arbel-ltd.com 🌐

