

# W695CIN

## QUICK RELEASE KNOB DETENT PIN IN FULL STAINLESS STEEL



INOX

### Materials:

- (1) Hardened stainless steel balls (Aisi 440C).
- (2) Stainless steel pin (Aisi 630), with high mechanical and chemical resistance, hardened (HRC 40).
- (4) Turned stainless steel knob (Aisi 303).
- (6) Turned stainless steel button (Aisi 303).
- (5) Stainless steel spring (Aisi 301).

### Surface finish:

Natural with protective passivation.

### Colour:

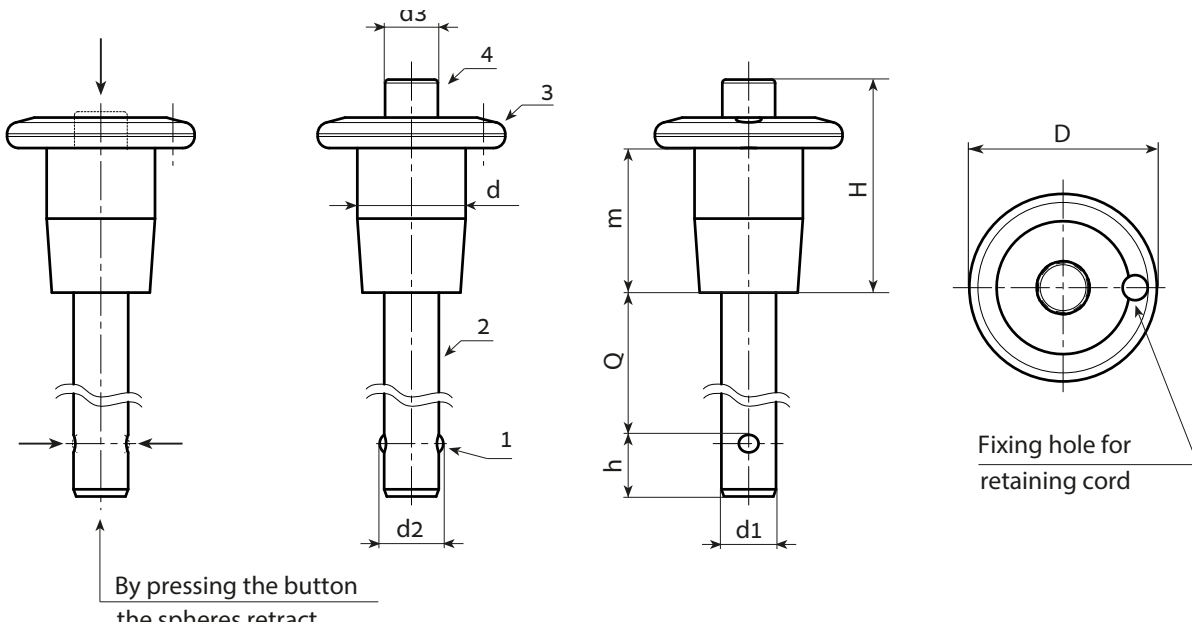
Natural.

### ATTENTION:

> We recommend an H11 tolerance for the plunger stem bore.

### Special Requests:

- None.



Stock availability as % (🛒)  
 90% (●) - 40% (●) - 5% (●)

Art.	D	H	m	d	d2 (±0.25)	d3	d1 (-0,04 -0,08)	h(±1)	Q(+0.5)	g
W69521.I05X..CIN	21	23,5	16	12	5,54	6	5	6	10-15-20-25-30-35-40-50-60-70	22-23-23-24-25-25-26-28-29-30
W69521.I06X..CIN	21	23,5	16	12	6,99	6	6	7	10-15-20-25-30-35-40-50-60-70-80	23-24-25-26-27-28-29,5-32-34-36-38,5
W69521.I08X..CIN	21	23,5	16	12	9,42	6	8	8	10-15-20-25-30-35-40-50-60-70-80	27-29-31-32-35-36-38-42-46-50-54
W69525.I10X..CIN	25,5	26	18	14	11,86	7,5	10	9	15-20-25-30-35-40-50-60-70-80-90-100	45-48-50,5-54-56-60-65-70,5-78-81-90-96
W69535.I12X..CIN	35	32,5	22	18	14,45	10,5	12	10	20-25-30-35-40-50-60-70-80-90-100	98-102-107-110-115-123-132-140-150-157-168

Enter the selected stud length in place of the two dots . . in the item code.



Arbel Agencies LTD.

11 Ba'alei Hamelacha st. Qiryat Bialik P.O.B 1095, ZIP 2751311, ISRAEL  
 +972(0)48736969 ☎ +972(0)48730708 📠 info@arbel-ltd.com 📧 www.arbel-ltd.com 🌐

