

W635CIN

FULL STAINLESS STEEL QUICK RELEASE DETENT PIN - WITH RING



INOX

Materials:

- (1) Turned stainless steel body (Aisi 303).
- (2) Turned stainless steel pin (Aisi 303).
- (3) Stainless steel spring (Aisi 301).
- (4) Hardened stainless steel balls (Aisi 440C).
- (5) Stainless steel spring ring (Aisi 302).

Surface finish:

Natural.

Colour:

Natural.

Notes:

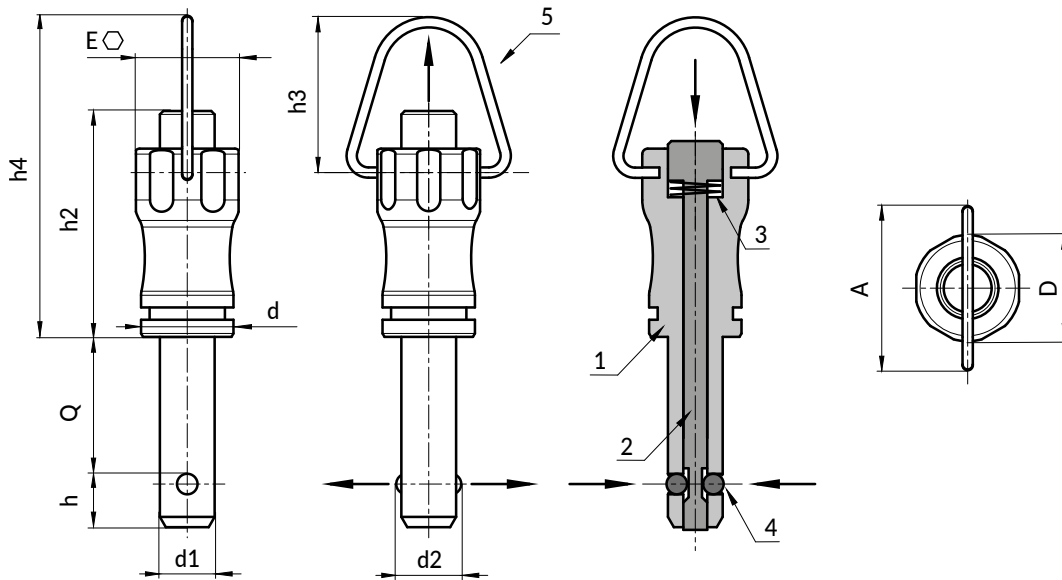
The quick release detent pin is a quick and easy way to connect components or secure pieces to be machined.

ATTENTION:

> We recommend an H11 tolerance for the plunger stem bore.

Special Requests:

- None.



Version W635 CIN: with stainless steel ring (Aisi 303)



Stock availability as % (🛒)
90% (●) - 40% (●) - 5% (●)

Art.	D	d	d2	A	E	h	h2	h3	h4	d1 _{H9}	Shear strength to double shear strength max. kN	Q(+0.6)	g
W635011.HD05X..CIN	11,5	10	5,5	18	11	5,9	25	16,5	35	5	15	10-15-20-25-30	12-12-13-16-19
W635011.HD06X..CIN	11,5	10	6,85	18	11	6,8	25	16,5	35	6	22	10-15-20-25-30-35-40-45-50	13-13-13,5-14-14,5-17,5-21-23-26
W635015.HD08X..CIN	15,5	13,5	9,5	24	15	7,8	33	23	47	8	38	20-25-30-35-40-45-50	26-27-27,5-28-28,5-28,5-30
W635015.HD10X..CIN	15,5	13,5	12	24	15	8,9	33	23	47	10	60	20-25-30-35-40-45-50-60	27,5-28-28,5-29-29,5-30-30,5-31,5
W635022.HD12X..CIN	22	20	14,5	33	21	9,9	39,5	30	59,5	12	86	25-30-35-40-45-50-60-70-80	62,5-63,5-64,5-65,5-66-75,5-77,5-79-81
W635022.HD16X..CIN	22	20	19	33	21	13,1	39,5	30	59,5	16	153	30-35-40-45-50-60-70-80	74-75-76-77-78-80,5-83-85

Enter the selected stud length in place of the two dots . . in the item code.



Arbel Agencies LTD.

11 Ba'alei Hamelacha st. Qiryat Bialik P.O.B 1095, ZIP 2751311, ISRAEL
+972(0)48736969 ☎ +972(0)48730708 📠 info@arbel-ltd.com 📧 www.arbel-ltd.com 🌐

