

W630

QUICK RELEASE STEEL RING DETENT PIN



Materials:

- (1) Stainless steel spring ring (Aisi 302).
- (2) Turned free-cutting steel pin.
- (3) Stainless steel spring (Aisi 301).
- (4) Hardened stainless steel balls (Aisi 440C).

Surface finish:

- (1-4) Natural.
- (2) Standard blue galvanising.

Notes:

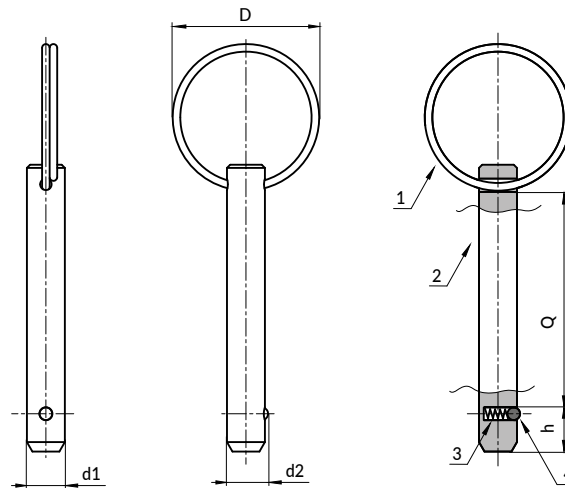
The quick release detent pin is a quick and easy way to connect components or secure pieces to be machined.

ATTENTION:

> We recommend an H11 tolerance for the plunger stem bore.

Special Requests:

- None.



Stock availability as % (🛒)
90% (●) - 40% (●) - 5% (●)

🛒	Art.	D	d2	h	d1H9	Q(+0.6)	g	Shear strength to double shear strength max. kN
●	W630023.VZD06X15	23	6.5	7	6	15	7	22
●	W630023.VZD06X20	23	6.5	7	6	20	8	22
●	W630023.VZD06X30	23	6.5	7	6	30	10	22
●	W630023.VZD06X40	23	6.5	7	6	40	12	22
●	W630028.VZD08X30	28	8.8	8	8	30	19	38
●	W630028.VZD08X40	28	8.8	8	8	40	23	38
●	W630028.VZD08X50	28	8.8	8	8	50	27	38



Arbel Agencies LTD.
11 Ba'alei Hamelacha st. Qiryat Bialik P.O.B 1095, ZIP 2751311, ISRAEL
+972(0)48736969 ☎ +972(0)48730708 📠 info@arbel-ltd.com 📧 www.arbel-ltd.com 🌐

