

# W622

## LONG SMOOTH STEEL SPRING PLUNGER WITH HEAD



**Materials:**

(2) Plunger body in free-cutting steel.

**Surface finish:**

Smooth.

**Colour:**

Black-oxide treated.

**Nose pin:**

Hardened steel nose pin.

**Type of spring thrust:**

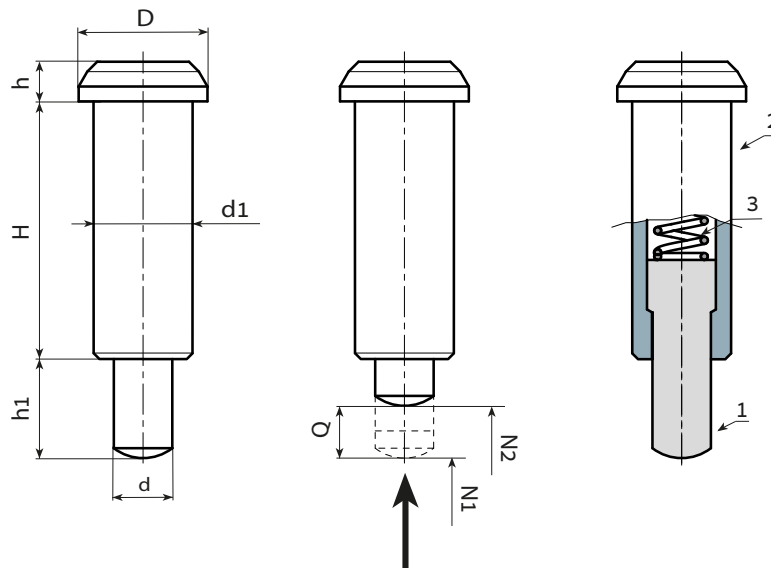
Normal.

**Spring:**

Harmonic steel spring.

**Special requests:**

- None.



Stock availability as % (🛒)  
90% (●) - 40% (●) - 5% (●)

🛒	art.	D	H	h1	h	d	N1 (N)	N2 (N)	d1(+0-0.08)	g
●	W622.VBD08	10	20.8	8	3.2	3.95	30	90	8	8
●	W622.VBD10	13	26	10	4	5.95	42	110	10	14
●	W622.VBD12	16	31	12	5	7.95	50	130	12	26



Arbel Agencies LTD.  
11 Ba'alei Hamelacha st. Qiryat Bialik P.O.B 1095, ZIP 2751311, ISRAEL  
+972(0)48736969 ☎ +972(0)48730708 📠 info@arbel-ltd.com 🌐 www.arbel-ltd.com 🌐

