

W620

SCREW-TYPE SPRING BALL PLUNGER



Materials:

W620:

Turned free-cutting steel screw, with hexagon socket head.

W620CIN:

Turned stainless steel screw (Aisi 303), with hexagon socket head.

Surface finish:

Smooth.

Colour:

W620:

Black-oxide treated.

W620CIN:

Natural.

Ball:

Hardened stainless steel ball (Aisi 420).

Spring:

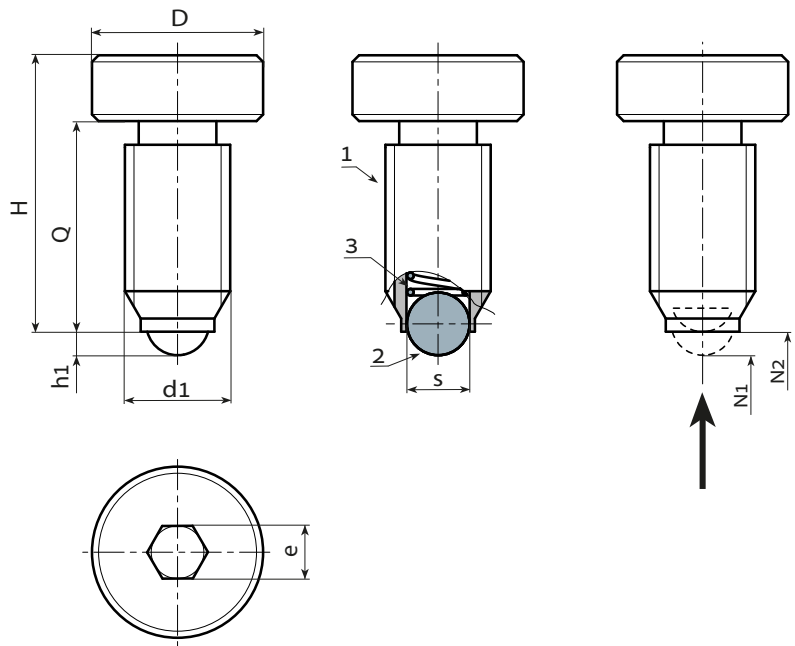
Stainless steel spring (Aisi 301).

Type of spring thrust:

Normal.

Special requests:

- None.



Version W620 - black-oxide treated steel

Stock availability as % (🛒)
90% (●) - 40% (●) - 5% (●)

🛒	art.	D(+0-0.2)	H	h1	e	s	N1 (N)	N2 (N)	d1 _{6g}	Q	g
●	W620.VBM06X12	10	16	1	3	3.5	9	9	M6	12	4
●	W620.VBM08X16	13	21	1.5	4	5	15	15	M8	16	9
●	W620.VBM10X20	16	26	2	5	6	20	20	M10	20	17
●	W620.VBM12X25	18	32	2.5	6	8	30	30	M12	25	27

Version W620 CIN - stainless steel (Aisi 303)



🛒	art.	D(+0-0.2)	H	h1	e	s	N1 (N)	N2 (N)	d1 _{6g}	Q	g
●	W620.INM06X12CIN	10	16	1	3	3.5	9	9	M6	12	4
●	W620.INM08X16CIN	13	21	1.5	4	5	15	15	M8	16	9
●	W620.INM10X20CIN	16	26	2	5	6	20	20	M10	20	17
●	W620.INM12X25CIN	18	32	2.5	6	8	30	30	M12	25	27

Arbel Agencies LTD.



11 Ba'alei Hamelacha st. Qiryat Bialik P.O.B 1095, ZIP 2751311, ISRAEL
+972(0)48736969 ☎ +972(0)48730708 📠 info@arbel-ltd.com 📧 www.arbel-ltd.com 🌐

