

W610

SMOOTH BRASS DOUBLE BALL SPRING PLUNGER



Materials:

Plunger body in turned brass.

Ball:

Hardened stainless steel ball (Aisi 420).

Type of spring thrust:

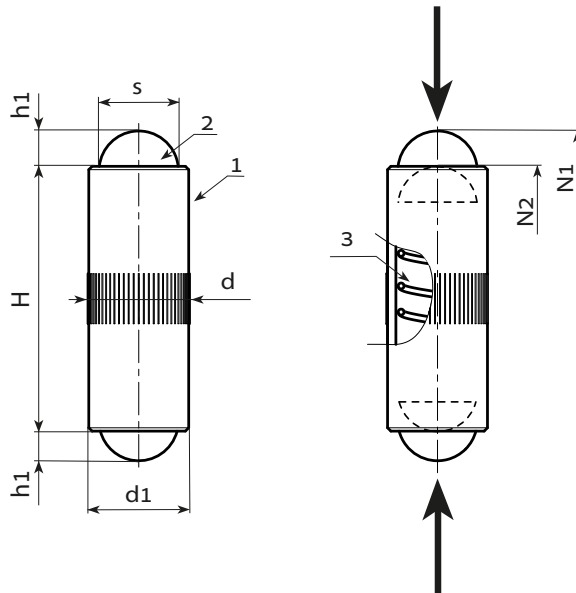
Normal.

Spring:

Stainless steel spring (Aisi 301).

Special requests:

- None.



Stock availability as % (🛒)
90% (●) - 40% (●) - 5% (●)

🛒	art.	s	H(+0-0.2)	h1	d(+0.05-0)	N1 (N)	N2 (N)	d1	g
●	W610.OND04	3	10	0.9	4.05	3	7	4	0.7
●	W610.OND05	4	12	1.2	5.05	4	8	5	1.3
●	W610.OND06	5	16	1.6	6.05	6	10	6	2.4
●	W610.OND08	6	20	2	8.05	8	12	8	5.8
●	W610.OND10	8	24	2.9	10.05	10	16	10	10.5



Arbel Agencies LTD.
11 Ba'alei Hamelacha st. Qiryat Bialik P.O.B 1095, ZIP 2751311, ISRAEL
+972(0)48736969 ☎ +972(0)48730708 📠 info@arbel-ltd.com 🌐 www.arbel-ltd.com 🌐

