

# W600CIN

## SMOOTH FULL STAINLESS STEEL BALL PLUNGER WITHOUT COLLAR



INOX

**Materials:**

Stainless steel plunger body (Aisi 303).

**Surface finish:**

Smooth.

**Colour:**

Natural stainless steel.

**Ball:**

Hardened stainless steel ball (Aisi 420).

**Type of spring thrust:**

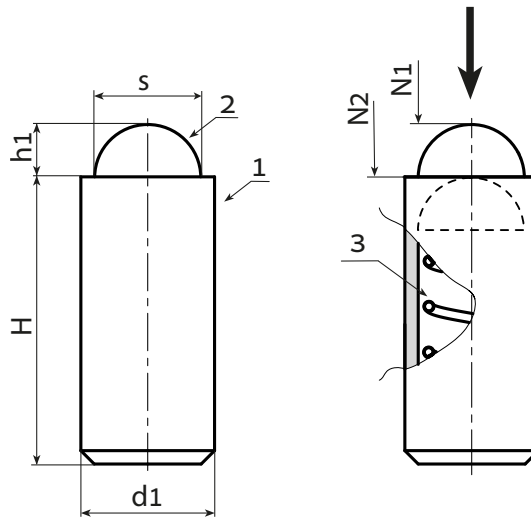
Normal.

**Spring:**

Stainless steel spring (Aisi 301).

**Special requests:**

- None.



INOX

Stock availability as % (🛒)  
90% (●) - 40% (●) - 5% (●)

🛒	art.	s	H	h1	N1 (N)	N2 (N)	d1(+0.02 -0.06)	g
●	W600.IND03CIN	2	7	0.65	5	7	3	0.4
●	W600.IND04CIN	3	9	0.8	12	22	4	0.6
●	W600.IND05CIN	4	12	1	19	30	5	1.2
●	W600.IND06CIN	5	14	1.5	22	40	6	2
●	W600.IND08CIN	6	16	1.8	42	73	8	5
●	W600.IND10CIN	8	22	2.7	54	100	10	9
●	W600.IND12CIN	10	24	3.2	54	122	12	15



Arbel Agencies LTD.  
11 Ba'alei Hamelacha st. Qiryat Bialik P.O.B 1095, ZIP 2751311, ISRAEL  
+972(0)48736969 ☎ +972(0)48730708 📠 info@arbel-ltd.com 🌐 www.arbel-ltd.com 🌐

