

W515



METAL INDEXED CLAMPING LEVER WITH STRAIGHT ARM AND THREADED HOLE INSERT

Materials:

(1-2-5) Lever body, arm and indexed insert in steel with strength class 5.8.

Surface finish:

(1-2-5) Turned with low roughness.
(6) Satin.

Colour:

(1-2-5) Standard black-oxide treatment.

Handgrip:

(6) Ball knob I103 in reinforced polyamide in black Ral 9011 [see page].

Handgrip fixing method:

Screwed on and glued.

Hole:

Female threaded hole machined from the insert (hole tolerance 6H).

Spring:

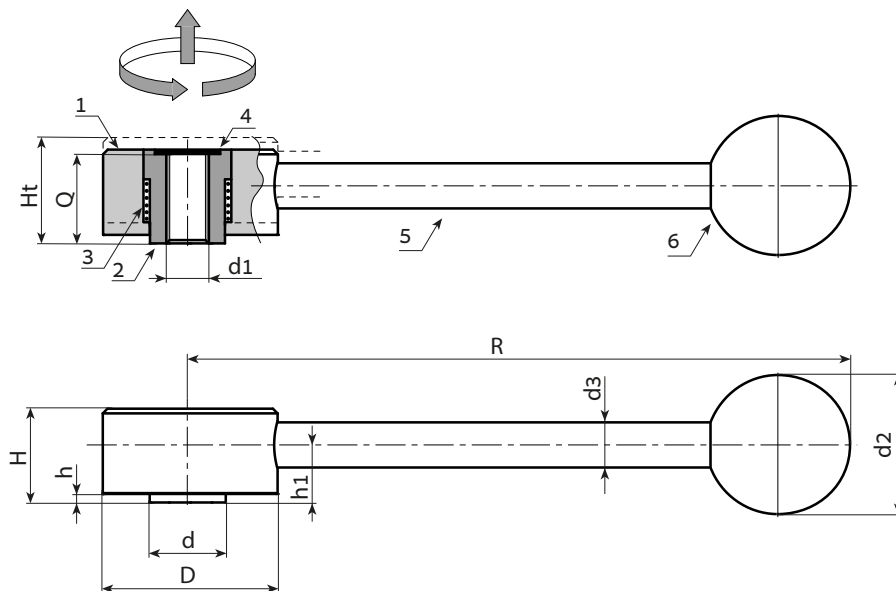
(3) Stainless steel spring (Aisi 302).

Cap:

(4) Aluminium hole cover cap, glued.

Special requests:

- None.



Stock availability as % (🛒)
90% (●) - 40% (●) - 5% (●)

🛒	Art.	D	R	d	H	Ht	h	h1	d2	d3	d1 _{6H}	Q	g
●	W515114.VBM0601	33	114	13,5	19	23	2	12	25	10	M6	18	166
●	W515114.VBM0801	33	114	13,5	19	23	2	12	25	10	M8	18	164
●	W515146.VBM1001	41	146	19	22	26	2	13,5	30	12	M10	21	295
●	W515146.VBM1201	41	146	19	22	26	2	13,5	30	12	M12	21	291
●	W515165.VBM1201	45	165	23	28	33	2	17	35	14	M12	27	466
●	W515165.VBM1601	45	165	23	28	33	2	17	35	14	M16	27	450