

W502



C40

Aisi 303

UL94 HB



METAL FIXED LEVER WITH INCLINED HANDLE AND SMOOTH BORE

Materials:

W502:

Steel with strength class 5.8.

W502CIN:

Stainless steel (Aisi 303).

Surface finish:

Turned with low roughness.

Colour:

W502:

Nickel plated (galvanic treatment).

W502CIN:

Natural.

Alternative finishes:

Black-oxide treatment:

(replace the final letter of the code (H) with letter B (W502070.SM0801B).

Galvanising:

(replace the final letter of the code (H) with letter Z (W502070.SM0801Z).

Handgrip:

Conical knob I500 in reinforced PA6 in black (Ral 9011) [see page].

Handgrip fixing method:

Push-fit, removable.

Hole:

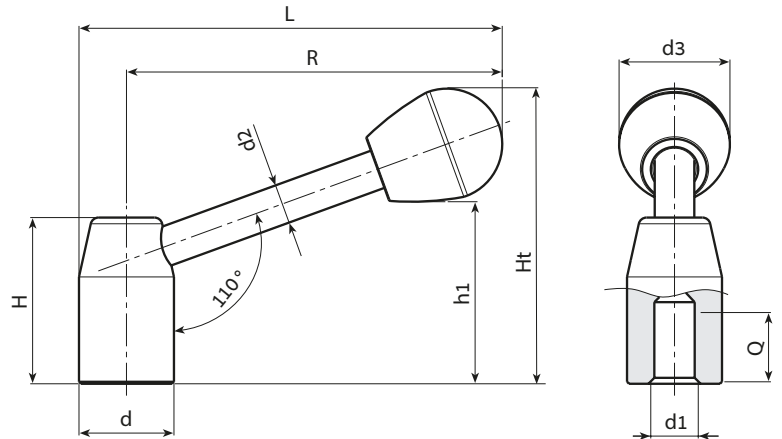
Blind smooth bore machined from solid metal (bore tolerance H10).

Fixing method:

For fixing systems, or execution of keyways or square holes, please refer to the technical notes attached to the catalogue.

Special requests:

- Upon request and for special quantities levers can be supplied with custom hole diameter d1.
- Upon request and for special quantities handgrip available in the colours indicated in the chart [page].



Version W502 - nickel-plated steel

Stock availability as % (🛒)
90% (●) - 40% (●) - 5% (●)

🛒	art.	d	R	L	H	Ht	h1	d2	d3	d1H10	Q	g
●	W502070.SD0801H	20	67	77	34	57	34	8	22	8	16	84
●	W502080.SD1001H	22	76	87	38	63	40	8	22	10	18	109
●	W502095.SD1201H	24	91	102.5	42	73	45	10	28	12	20	158
●	W502110.SD1201H	28	105	119	48	82	54	12	28	12	22	278
●	W502125.SD1601H	32	120	135.5	52	92	59	12	32	16	25	337
●	W502140.SD1601H	36	135	152	58	101	68	14	32	16	26	500
●	W502150.SD2001H	40	144	164	64	110	72	16	37	20	28	670
●	W502170.SD2001H	45	162	184	70	121	83	16	37	20	30	870

Version W502 CIN - stainless steel (Aisi 303)



🛒	art.	d	R	L	H	Ht	h1	d2	d3	d1H10	Q	g
●	W502070.ID0801CIN	20	67	77	34	57	34	8	22	8	16	84
●	W502080.ID1001CIN	22	76	87	38	63	40	8	22	10	18	109
●	W502095.ID1201CIN	24	91	102	42	73	45	10	28	12	20	158
●	W502110.ID1201CIN	28	105	119	48	82	54	12	28	12	22	278
●	W502125.ID1601CIN	32	120	135	52	92	59	12	32	16	25	337
●	W502140.ID1601CIN	36	135	152	58	101	68	14	32	16	26	500
●	W502150.ID2001CIN	40	144	164	64	110	72	16	37	20	28	670
●	W502170.ID2001CIN	45	162	184	70	121	83	16	37	20	30	870

