

W460HIN NEW



STAINLESS STEEL KNURLED KNOB WITH THREADED STUD

INOX

Materials:

Knob:

Precision-cast stainless steel, (Aisi 304).

Stud:

Stainless steel (Aisi 303).

Surface finish:

Knob:

Electropolished satin finish.

Stud:

Smooth.

Colour:

Natural.

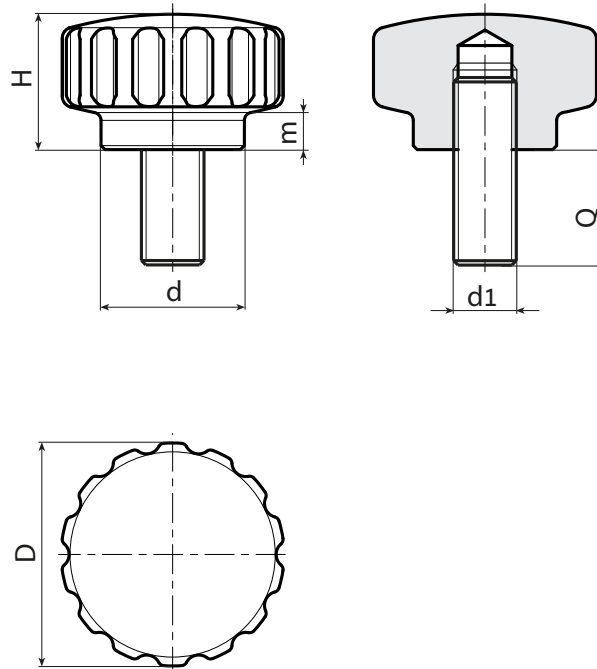
Inserts:

Turned threaded stud (thread tolerance 6g).

ATTENTION: The stud is fixed with glue.

Special requests:

- Upon request and for a minimum of 50 pieces inserts can be supplied with customised lengths.



Stock availability as % (🛒)
 90% (●) - 40% (●) - 5% (●)

🛒	Art.	D	H	d	m	d1 _{6H}	Q	g
●	W460020.HNM05X20HIN	20	13	14	4,5	M5	20	3
●	W460024.HNM06X20HIN	24	15	16	4,5	M6	20	3
●	W460028.HNM08X30HIN	28	17	18	4,5	M8	30	3

Customised stud length available for a minimum of 50 pieces.



Arbel Agencies LTD.

11 Ba'alei Hamelacha st. Qiryat Bialik P.O.B 1095, ZIP 2751311, ISRAEL
 +972(0)48736969 ☎ +972(0)48730708 📠 info@arbel-ltd.com 🌐 www.arbel-ltd.com 🌐

