

W459HIN

NEW

+200°
-40°

Aisi
304

RoHS
COMPLIANT

STAINLESS STEEL KNURLED KNOB WITH THREADED HOLE

INOX

Materials:

Precision-cast stainless steel, (Aisi 304).

Surface finish:

Electropolished satin finish.

Colour:

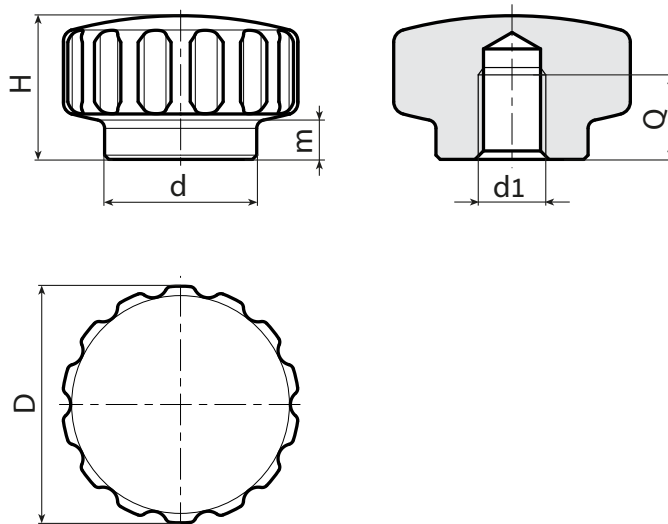
Natural.

Hole:

Female threaded hole (thread tolerance 6H).

Special requests:

- None.



BOTECO
METAL LINE

Stock availability as % (🛒)
90% (●) - 40% (●) - 5% (●)

🛒	Art.	D	H	d	m	d1 _{6H}	Q	g
●	W459020.HNM05HIN	20	13	14	4,5	M5	8	3
●	W459024.HNM06HIN	24	15	16	4,5	M6	9	3
●	W459028.HNM08HIN	28	17	18	4,5	M8	10	3

arbel
AGENCIES LIMITED

Arbel Agencies LTD.

11 Ba'alei Hamelacha st. Qiryat Bialik P.O.B 1095, ZIP 2751311, ISRAEL
+972(0)48736969 ☎ +972(0)48730708 📠 info@arbel-ltd.com 🌐 www.arbel-ltd.com 🌐

BOTECO