

W297



ALUMINIUM CONTROL HANDWHEEL WITH SMOOTH BORE AND REVOLVING HANDLE

Materials:

Die-cast aluminium.

Surface finish:

Satin finish, except for the sections (T) with low surface roughness obtained by turning.

Colour:

Nickel plated (galvanic treatment).

Alternative colours (min. 50 pieces):

Black epoxy powder coated:
(replace the final letter of the code (H) with letter V (W297100.AD10V).

Cap:

Central cap in black polyamide (RAL 9011 code 01).

Alternative cap colours:

The central cap for the black handwheel will be grey (RAL 7035 code no. 13).

Lateral handle:

Revolving handle art. M129 [page].

Hole:

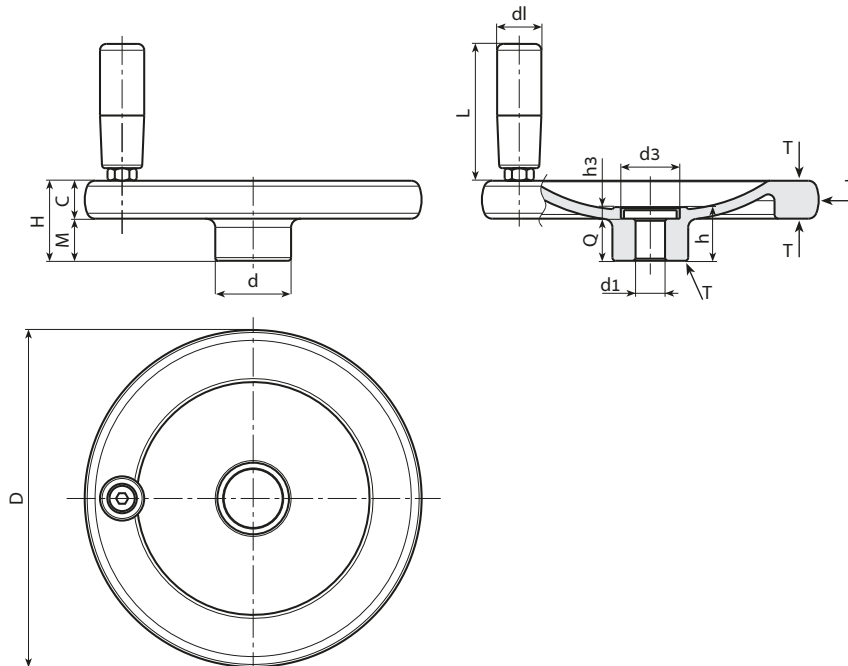
Smooth through hole, remachined with H7 tolerance.

Fixing method:

For fixing systems, or execution of keyways or square holes, please refer to the technical notes attached to the catalogue.

Special Requests:

- Upon request and for special quantities handwheels can be supplied on customer's drawing with hole diameter d1.



Stock availability as % (🛒)
90% (●) - 40% (●) - 5% (●)

🛒	Art.	d	D	H	m	c	h	h3	d3	d1H7	Q	dl	L	g
●	W297080.AD08H	26	80	26	14	12	21	5.5	20	8	15.5	20	52	185
●	W297100.AD10H	28	100	28	14	14	21.5	5.5	20	10	16	20	52	282
●	W297130.AD12H	36	130	35	19	16	25.5	5.5	28	12	20	23	62	492
●	W297160.AD14H	36	160	38	20	18	25.5	5.5	28	12	20	25	72	778
●	W297200.AD16H	42	200	44	24	20	31.5	6	34	16	25.5	25	81	1287

Attention: For a minimum of 50 pieces the diameter d1 can be customised (hole tolerance H7).



11 Ba'alei Hamelacha st. Qiryat Bialik P.O.B 1095, ZIP 2751311, ISRAEL
+972(0)48736969 ☎ +972(0)48730708 📠 info@arbel-ltd.com 📧 www.arbel-ltd.com 🌐

