

# W270

## T-HANDLE WITH STEEL INDEXING PLUNGER



### Materials:

- (3) Stainless steel spring (Aisi 301).
- (4) Reinforced polyamide T-handle. Cannot be disassembled. Resistant to oils and greases.

### W270:

- (2) Threaded high-resistance steel hexagon ring nut.
- (1) Hardened high resistance steel plunger pin.

### W270CIN:

- (2) Threaded stainless steel hexagon ring nut (Aisi 303).
- (1) Stainless steel plunger pin (Aisi 303).

### Surface finish:

- (4) Satin.
- (1-2-3-5) Smooth.

### Colour:

- (4) Black (RAL 9011).

### W270:

- (1-2-5) Black-oxide treated.

### W270CIN:

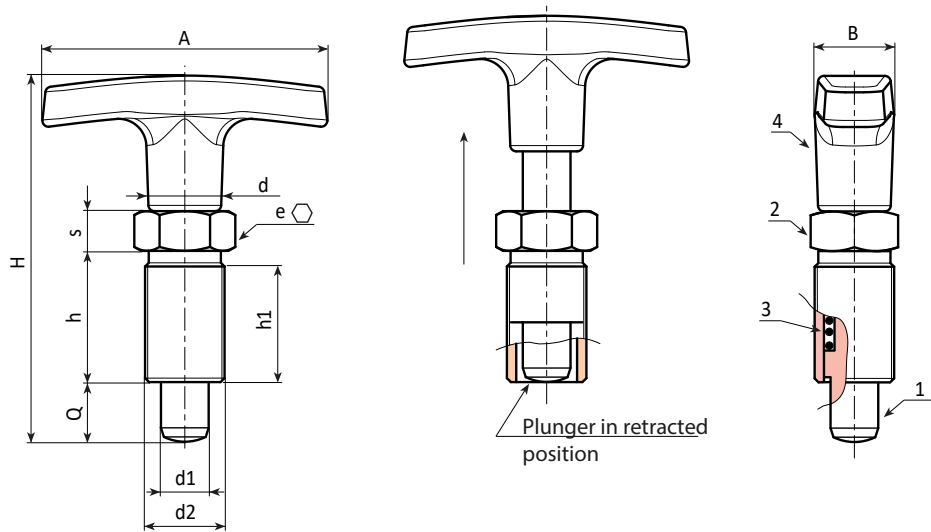
- (1-2-5) Natural.

### ATTENTION:

- > We recommend an H7 tolerance for the plunger stem bore.

### Special Requests:

- On request and for special quantities the T-handle can be supplied in the colours indicated in the table [page ].



### Version W270 - black-oxide treated steel

Stock availability as % (🛒)  
90% (●) - 40% (●) - 5% (●)

🛒	Art.	A	B	H	h	h1	d2	d	e	s	d1 -0,02 -0,04	Q	📦
●	W270.Q0501	50	15	51	17	15	M10x1	14	12	5	5	5	29
●	W270.Q0601	50	15	56	20	18	M12x1,5	14	14	6	6	6	36
●	W270.Q0801	60	18	75	26	24	M16x1,5	16,5	19	8	8	8	73
●	W270.Q1001	72	20	87	33	31	M20x1,5	18,5	22	10	10	10	136

### Version W270CIN - stainless steel (Aisi 303)



🛒	Art.	A	B	H	h	h1	d2	d	e	s	d1 -0,02 -0,04	Q	📦
●	W270.I0501CIN	50	15	51	17	15	M10x1	14	12	5	5	5	29
●	W270.I0601CIN	50	15	56	20	18	M12x1,5	14	14	6	6	6	36
●	W270.I0801CIN	60	18	75	26	24	M16x1,5	16,5	19	8	8	8	73
●	W270.I1001CIN	72	20	87	33	31	M20x1,5	18,5	22	10	10	10	136

### Arbel Agencies LTD.



11 Ba'alei Hamelacha st. Qiryat Bialik P.O.B 1095, ZIP 2751311, ISRAEL  
+972(0)48736969 ☎ +972(0)48730708 📠 info@arbel-ltd.com 📧 www.arbel-ltd.com 🌐

