

# W136CIN

## FULL STAINLESS STEEL FOLDING HANDLE



INOX

**Materials:**

Stainless steel (Aisi 303).

**Surface finish:**

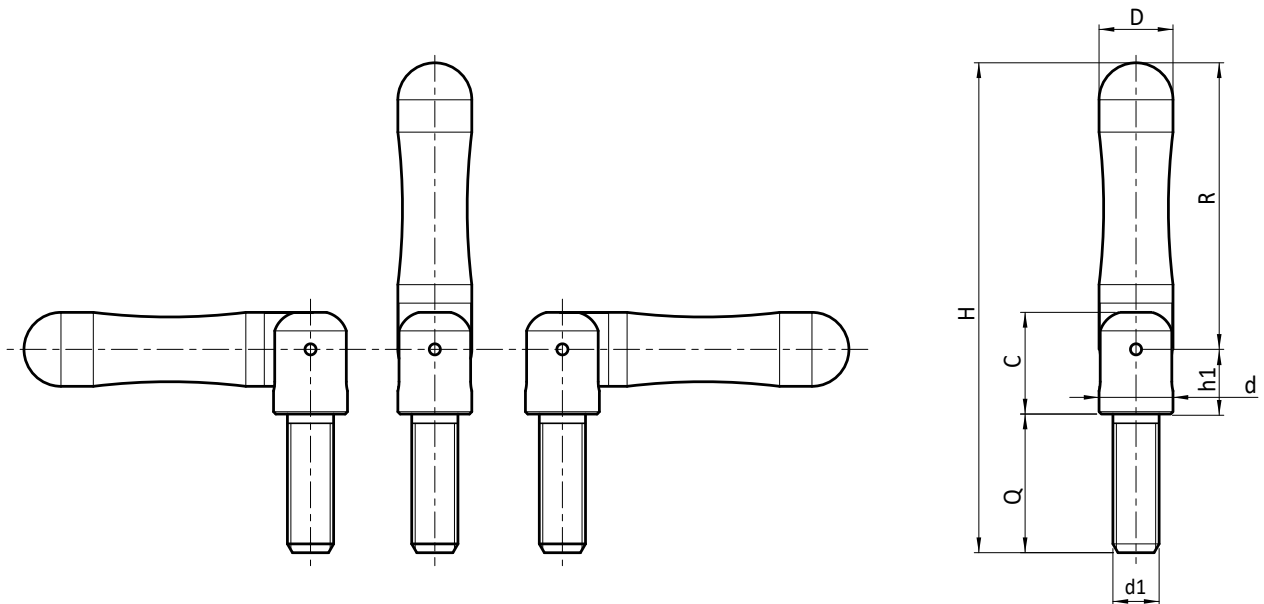
Sandblasted satin finish.

**Colour:**

Natural.

**Thread:**

Threaded stud obtained by turning (thread tolerance 6g).



INOX

Stock availability as % (🛒)  
90% (●) - 40% (●) - 5% (●)

art.	D	R	H	C	h1	d	d1 <sub>6g</sub>	Q	g
W136062.IM10X30CIN	16	62	106	22	14	16	M10	35	118



Arbel Agencies LTD.  
11 Ba'alei Hamelacha st. Qiryat Bialik P.O.B 1095, ZIP 2751311, ISRAEL  
+972(0)48736969 ☎ +972(0)48730708 📠 info@arbel-ltd.com 🌐 www.arbel-ltd.com 🌐

