

# W103HIN

**NEW**

+200°  
-40°

AISI  
304

RoHS  
COMPLIANT

## SOLID STAINLESS STEEL LOBED HANDWHEEL WITH THREADED STUD

INOX

### Materials:

Precision-cast stainless steel, (Aisi 304).

### Surface finish:

Electropolished satin finish.

### Colour:

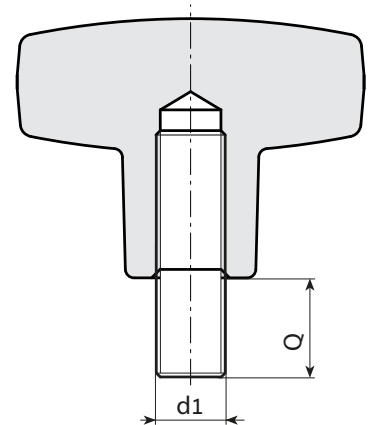
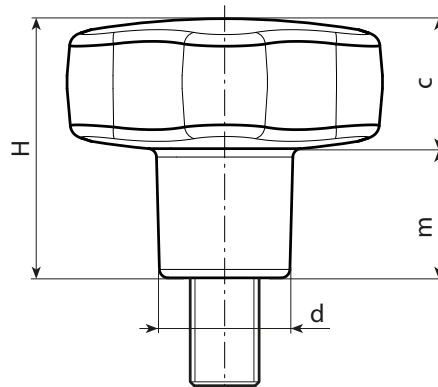
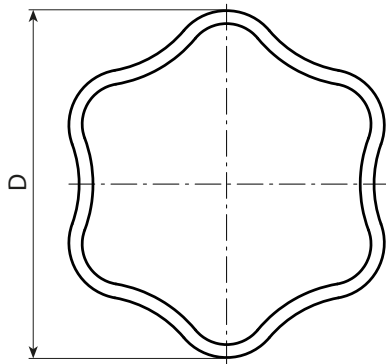
Natural.

### Stud:

Threaded stainless steel stud (AISI 303) (thread tolerance 6g), assembled and fixed with high-strength threadlocker.

### Special requests:

- Upon request and for a minimum of 50 pieces inserts can be supplied with customised lengths.



**BOTECO**  
METAL LINE

INOX

Stock availability as % (🛒)  
90% (●) - 40% (●) - 5% (●)

🛒	Art.	D	H	d	m	d1 <sub>6H</sub>	Q	g
●	W10330.HNM05X15HIN	30	21	11	11	M5	15	-
●	W10330.HNM06X15HIN	30	21	11	11	M6	20	-
●	W10340.HNM06X20HIN	40	30	15	15	M6	20	-
●	W10340.HNM08X20HIN	40	30	15	15	M8	20	-
●	W10350.HNM08X30HIN	50	34	17	17	M8	30	-
●	W10350.HNM10X30HIN	50	34	17	17	M10	30	-
●	W10360.HNM08X30HIN	60	39	21	18	M08	30	-
●	W10360.HNM10X30HIN	60	39	21	18	M10	30	-
●	W10360.HNM12X30HIN	60	39	21	18	M12	30	-