

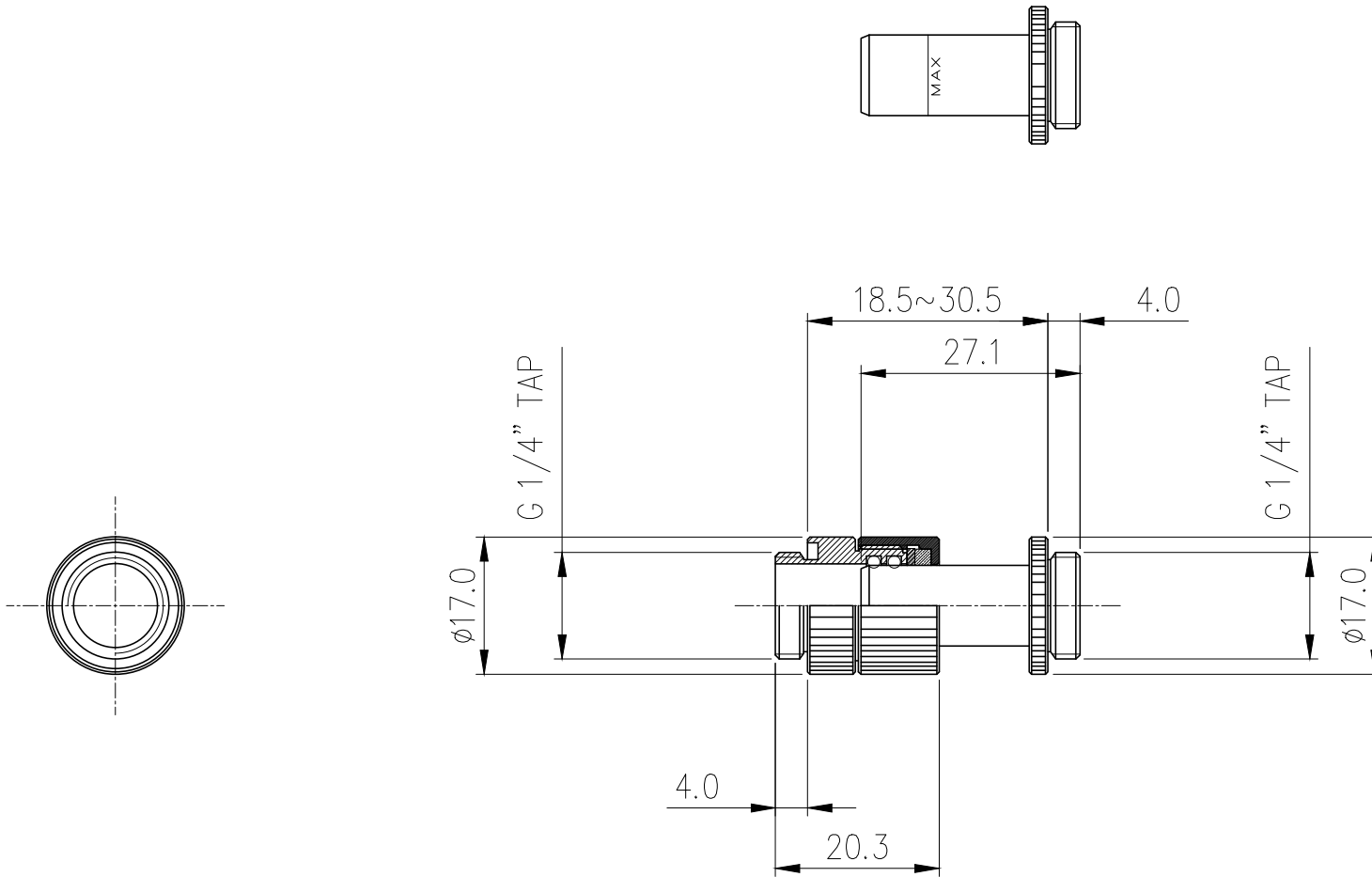
Dual VID Connector, Adjustable 1 Slot Spacing



Adjustable direct connection fitting for supported Koolance VID coolers in series or parallel. CNT-VDA2 is for SLI or CrossFire setups that span three card slots (one in between is bypassed). Koolance VID water blocks occupy the same slot as the video card. See [this page](#) for more details.

G 1/4 BSPP threading, nickel-plated brass with compression fittings and gaskets. Will work with any hose diameter going in and out of the Koolance video coolers. To adjust, loosen the threaded center nut, slide apart, and re-tighten. Do not adjust sliding fittings beyond the safety line, marked "MAX".

General	
Weight	0.06 lb (0.03 kg)
Fitting Thread	G 1/4 BSPP
Max Pressure @ 25°C	5kgf/cm ² (71.1psi)
Max Temperature	100°C (212°F)



NO.	DESCRIPTION	MATER'L		QUANTITY	REMARKS
	KOOLANCE	UNIT	MM	APPAR	CNT-VDA2(-BK)
		SCALE	N/S	TITLE	
		3RD ANGLE		Ass'y	
DATE	BY	BY	BY	CODE NO.	DWG. NO.
04/10/2017	S.J.LEE				