

# T710

## RING NUT WITH HANDLE



### Materials:

Reinforced polyamide.  
Resistant to oils and greases.

### Surface finish:

Satin.

### Colour:

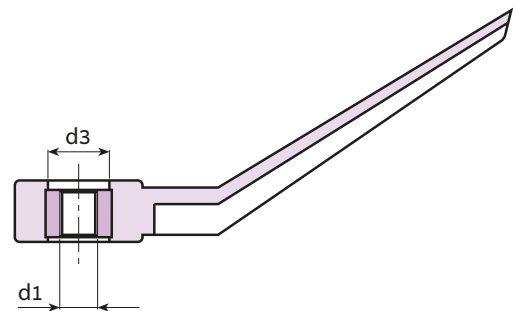
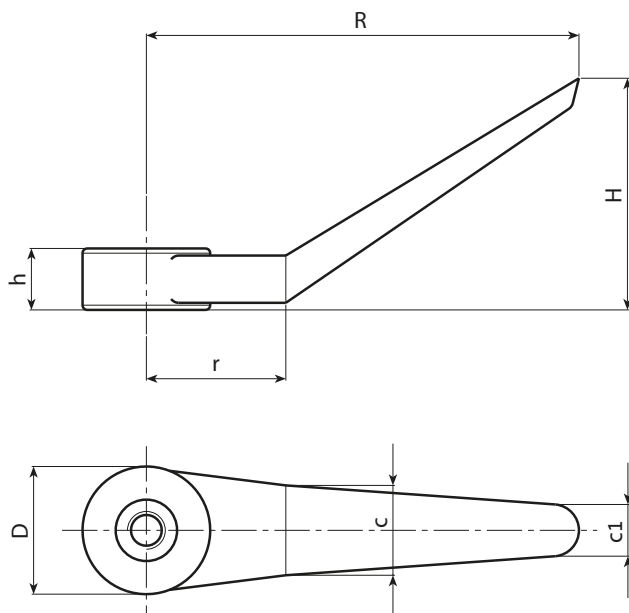
Black (RAL 9011).

### Inserts:

Galvanised steel threaded through-hole insert (thread tolerance 6H).

### Special requests:

- Upon request and for special quantities inserts can be supplied in different materials.
- Upon request and for special quantities available in the colours indicated in the chart [page].



Stock availability as % (🛒)  
90% (●) - 40% (●) - 5% (●)

🛒	Art.	R	D	H	h	r	c	c1	d3	d1	📦
●	T71090.TM0801	90	27	48	14	29	19	12	13.5	M8	27
●	T71090.TM1001	90	27	48	14	29	19	12	13.5	M10	26
●	T71090.TM1201	90	27	48	14	29	19	12	13.5	M12	28