

T559



SAW SAFETY GUARD WITH EXTENSION FOR SCORING BLADE

Materials:
(1-2-9) Polycarbonate.

Surface finish:
Satin.

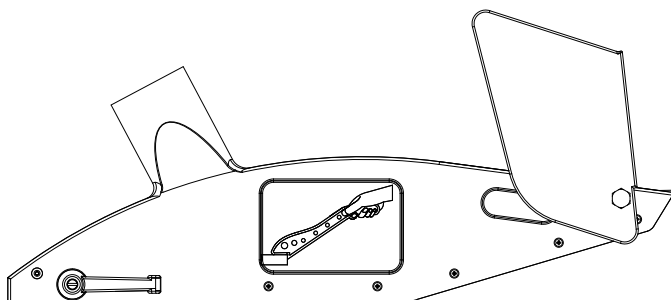
Colour:
Transparent.

Inserts:
(3) Aluminium rivet AL4.010 4.0x10.
(4) Brass threaded through-hole insert.
(5) Galvanised steel washer.
(6) Spring pin d.6x30 in black-oxide treated spring steel DIN 148.
(7) Brass self-tapping screw M03x10 DIN 97.
(8) Turned brass pin to rotate and fix the extension.
(9) Mobile safety extension for scoring blade.

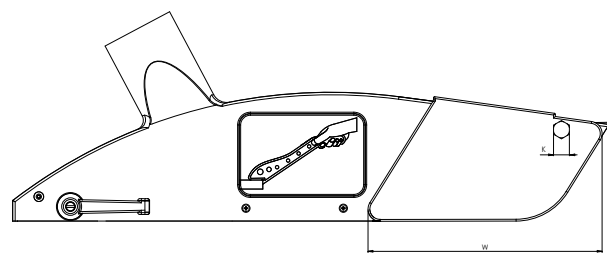
Clamping lever:
Indexed clamping lever art. A523065.TM08X3001.

Special requests:

- Black suction tube adapter D. 40 to be ordered separately - art. T556040.T01.



Extension in the highest position.



Extension in the lowest position.

Stock availability as % (🛒)
90% (●) - 40% (●) - 5% (●)

Art.	L	A	B	H	D	d	d1	l	l1	l2	l3	l4	l5	l6	h1	h2	h3	h4	h5
T559300.CCRI	490	30	60	172	60	53	6	145	297	176	17	21.5	47.5	70	105	79.5	52	14.5	20

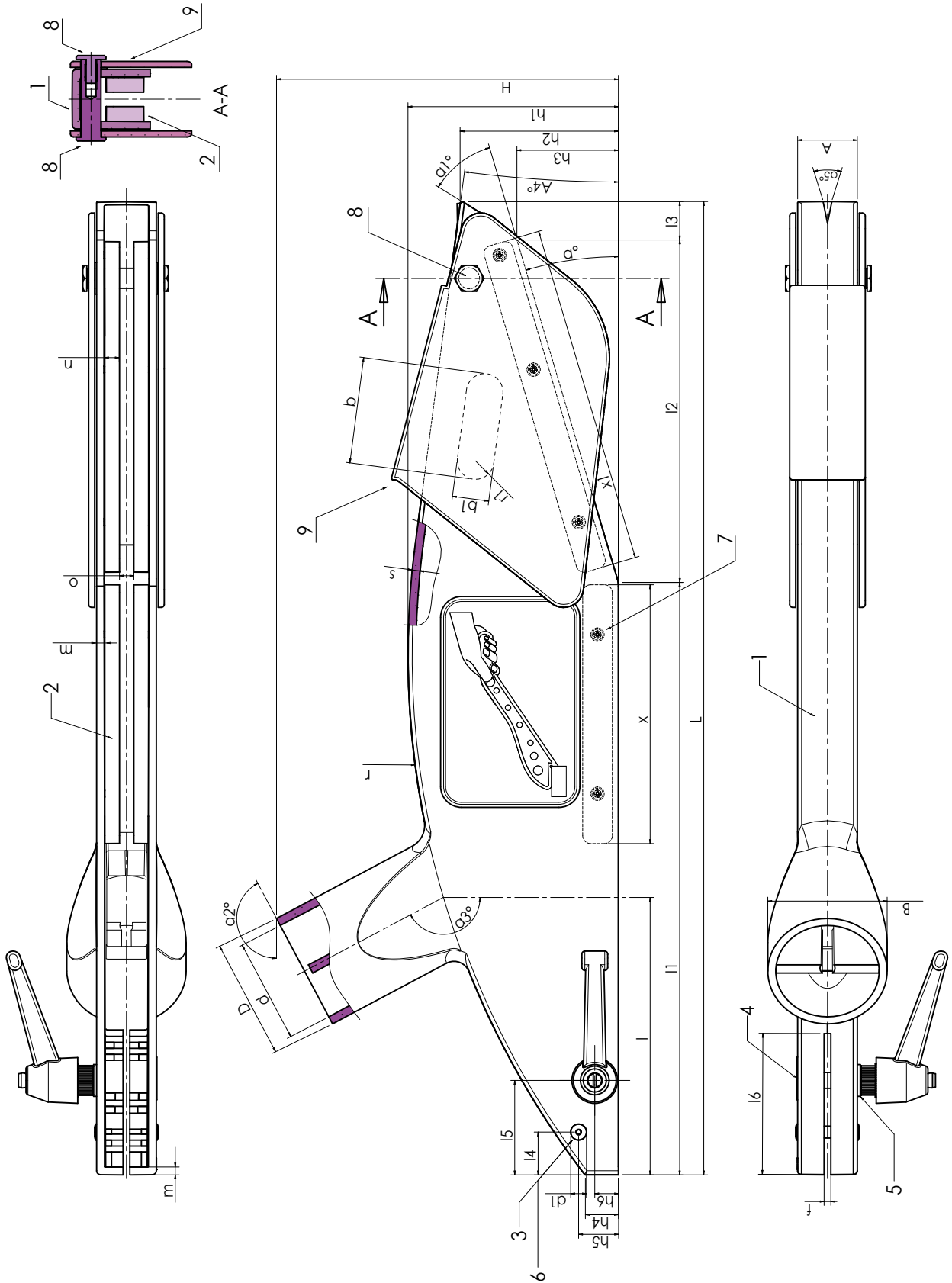


Arbel Agencies LTD.
11 Ba'alei Hamelacha st. Qiryat Bialik P.O.B 1095, ZIP 2751311, ISRAEL
+972(0)48736969 ☎ +972(0)48730708 📠 info@arbel-ltd.com 🌐 www.arbel-ltd.com 🌐



T559

SAW SAFETY GUARD WITH EXTENSION FOR SCORING BLADE



Stock availability as % (🛒)

90% (🟢) - 40% (🟡) - 5% (🔴)

Art.	h6	a°	a1°	a2°	a3°	a4°	a5°	b	b1	f	m	n	o	r	r1	s	x	x1	W	K	g
T559300.CCRI	11.5	16.5	41	152	152	7.5	22	56	21	3	4	7	8	430	10	4	130	170	192	13	650