

T558

EXTENSION KIT FOR SCORING BLADE FOR T556300

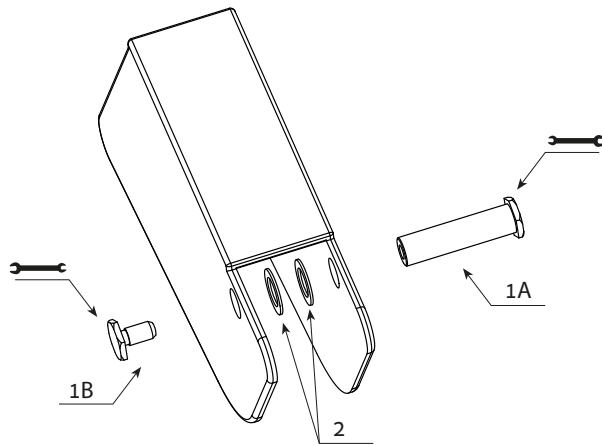


Materials:
Polycarbonate.

Surface finish:
Satin.

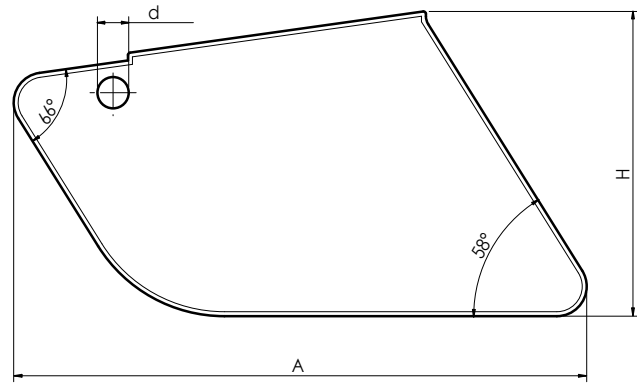
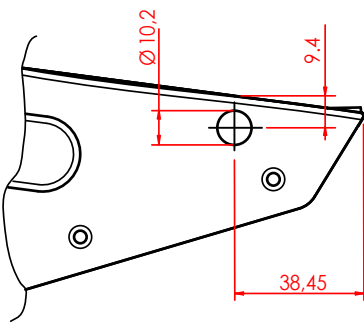
Colour:
Transparent

Inserts:
(1A) Turned brass pivot pin with hexagon head.
(1B) Special turned brass fixing screw with hexagon head.
(2) Brass spacer washer D. 16x0.8 hole 10.3.

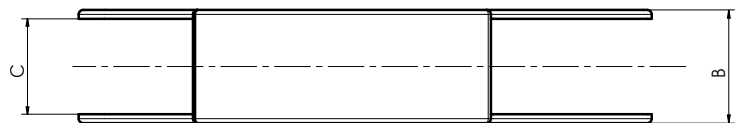


Drilling indications on T556300:

Attention:
Measurements are indicative due to non-constant material shrinkage. Always check each batch before drilling. The differences are in the range of a few tenths of a millimeter.



Attention:
The extension is delivered with a spacer screwed on the open side. Do not throw it away, it can be returned and reused.



Stock availability as % (🛒)
90% (●) - 40% (●) - 5% (●)

art.	A	H	B	C	d	C	E	g
T558300.CCRI	192	102	38	32	10.5	32	13	122