

# T501



## ALUMINIUM TANK PLUG WITH MAGNET (RESISTANT UP TO 200 °C)

### Materials:

- (1) Aluminium plug (alloy 6060).
- (4) Neodymium magnet -NdFeB- (N35EH) resistant up to 200°C.
- (2) Punched "MAGNETIC" writing resistant up to 200°C.
- (3) Gasket in fluoroelastomer (VITON®) resistant up to 200°C.

### Surface finish:

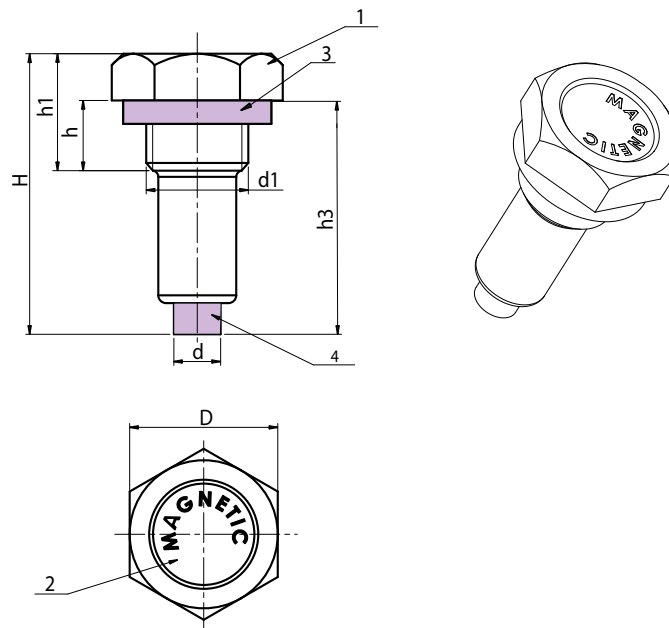
Turned.

### Colour:

Natural.

### Special requests:

- Upon request and for special quantities writings can be supplied to customer's drawing.
- Upon request and for special quantities thread d1 can be supplied to customer's drawing.



### Version with GAS threads

| art.         | D  | d | H  | h  | h1 | h3 | d1 (GAS) | g  |
|--------------|----|---|----|----|----|----|----------|----|
| T50119.AT1-4 | 19 | 6 | 36 | 9  | 15 | 28 | 1/4      | 14 |
| T50122.AT3-8 | 22 | 8 | 36 | 9  | 15 | 30 | 3/8      | 21 |
| T50126.AT1-2 | 26 | 8 | 40 | 11 | 18 | 34 | 1/2      | -  |
| T50132.AT3-4 | 32 | 8 | 44 | 12 | 20 | 36 | 3/4      | -  |

Stock availability as % (🛒)  
90% (🟢) - 40% (🟡) - 5% (🔴)

### Version with metric fine pitch

| art.            | D  | d | H  | h  | h1 | h3 | d1      | g  |
|-----------------|----|---|----|----|----|----|---------|----|
| T50122.AB16X1,5 | 22 | 8 | 36 | 9  | 15 | 30 | M16X1,5 | 21 |
| T50126.AB20X1,5 | 26 | 8 | 40 | 11 | 18 | 34 | M20X1,5 | -  |
| T50132.AB27X1,5 | 32 | 8 | 44 | 12 | 20 | 36 | M27X1,5 | -  |



Arbel Agencies LTD.  
11 Ba'alei Hamelacha st. Qiryat Bialik P.O.B 1095, ZIP 2751311, ISRAEL  
+972(0)48736969 ☎ +972(0)48730708 📠 info@arbel-ltd.com 🌐 www.arbel-ltd.com 🌐

