

T436



NEODYMIUM CYLINDRICAL MAGNET WITH GALVANISED STEEL SHELL WITH FEMALE THREADED HOLE

Materials:

- (1) Turned free-cutting steel shell with female threaded hole (thread tolerance 6H).
- (2) Cylindrical neodymium-iron-boron magnet (NdFeB).
- (3) Plastic spacer.

Surface finish:

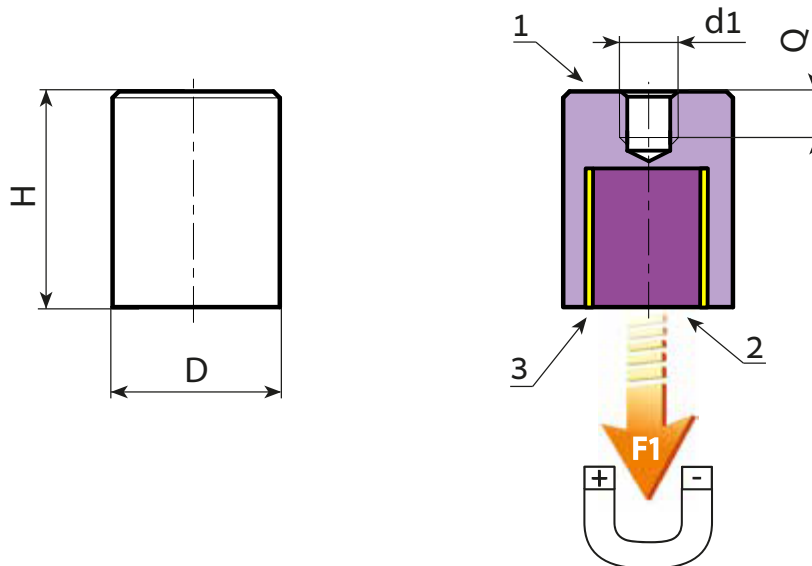
Smooth.

Colour:

Standard blue galvanising.

Special requests:

- None.



Stock availability as % (🛒)
90% (●) - 40% (●) - 5% (●)

🛒	art.	D ±0,1	H ±0,2	d1 _{6H}	Q	g	F1 (N)
●	T436006.VZM03	06	20	M3	6	4	6
●	T436008.VZM03	08	20	M3	5	7,5	12
●	T436010.VZM04	10	20	M4	7	11	24
●	T436013.VZM04	13	20	M4	7	20	60
●	T436016.VZM04	16	20	M4	7	30	90
●	T436020.VZM06	20	25	M6	9	58	135
●	T436025.VZM06	25	35	M6	9	131	190
●	T436032.VZM08	32	40	M8	12	243	340
●	T436040.VZM08	40	50	M8	12	480	700
●	T436050.VZM10	50	60	M10	12	900	1.000
●	T436063.VZM12	63	65	M12	14	1.560	1.700

Arbel Agencies LTD.



11 Ba'alei Hamelacha st. Qiryat Bialik P.O.B 1095, ZIP 2751311, ISRAEL
+972(0)48736969 ☎ +972(0)48730708 📠 info@arbel-ltd.com 🌐 www.arbel-ltd.com 🌐

