

T434



ALUMINIUM-NICKEL-COBALT CYLINDRICAL MAGNET WITH GALVANISED STEEL SHELL WITH FEMALE THREADED HOLE

Materials:

- (1) Turned free-cutting steel shell with female threaded hole (thread tolerance 6H).
- (2) Cylindrical aluminium-nickel-cobalt magnet (AlNiCo).
- (3) Brass spacer.

Surface finish:

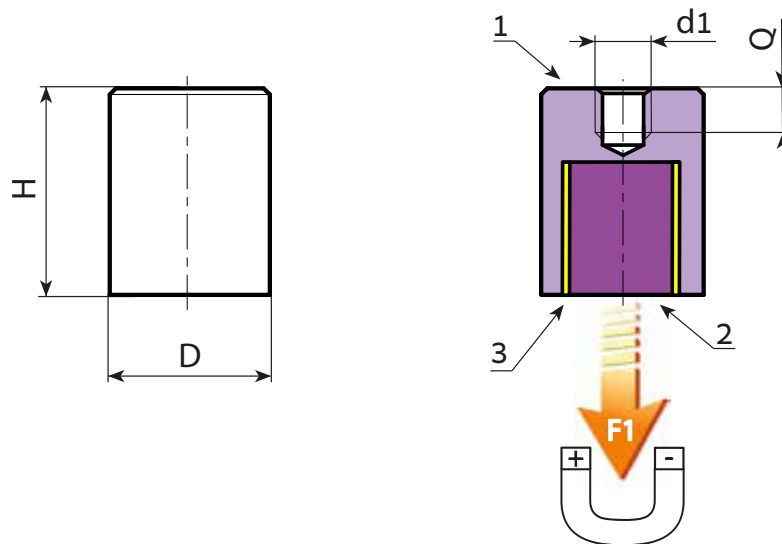
Smooth.

Colour:

Standard blue galvanising.

Special requests:

- None.



Stock availability as % (🛒)
90% (●) - 40% (●) - 5% (●)

🛒	art.	D ±0,1	H ±0,2	d1 _{6H}	Q	g	F1 (N)
●	T434006.VZM03	06	20	M3	5	4	2
●	T434008.VZM03	08	20	M3	5	7,5	4
●	T434010.VZM04	10	20	M4	7	11	8,5
●	T434013.VZM04	13	20	M4	7	19	12
●	T434016.VZM04	16	20	M4	5	30	20
●	T434020.VZM06	20	25	M6	7	55	40
●	T434025.VZM06	25	35	M6	9	121	60
●	T434032.VZM08	32	40	M8	9	220	160
●	T434040.VZM08	40	50	M8	12	436	240
●	T434050.VZM10	50	60	M10	12	794	400
●	T434063.VZM12	63	65	M12	14	1.274	660