

T416



FERRITE ROUND DISC MAGNET WITH GALVANISED STEEL SHELL AND THREADED STUD

Materials:

- (1) Turned free-cutting steel shell with threaded stud (thread tolerance 6g).
- (2) Flat ferrite magnet.
- (3) Plastic spacer.

Surface finish:

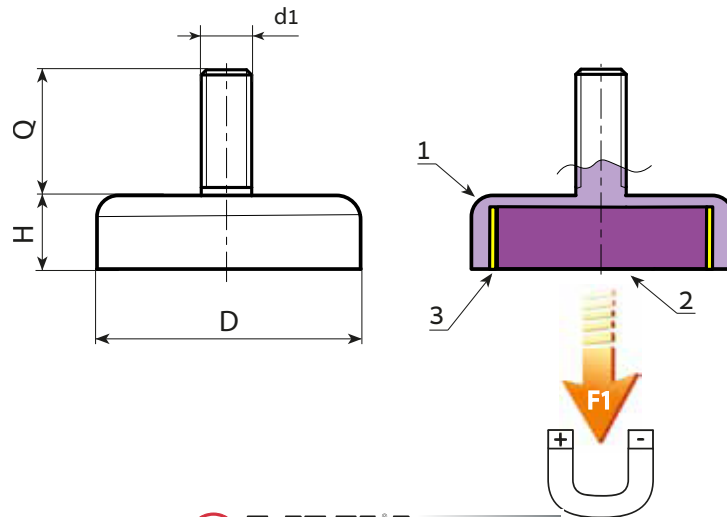
Smooth.

Colour:

Standard blue galvanising.

Special requests:

- Upon request and for special quantities the steel shell of model T416 can be supplied black galvanised (720h salt spray resistance).



Stock availability as % (🛒)
90% (●) - 40% (●) - 5% (●)

🛒	art.	D	H±0,2	d1 _{6g}	Q±0,5	g	F1 (N)
●	T416010.VZM03X07	10±0,1	4,5	M3	07	2	4
●	T416013.VZM03X07	13±0,1	4,5	M3	07	3	10
●	T416016.VZM03X07	16±0,1	4,5	M3	07	5	18
●	T416016.VZM04X06	16±0,1	4,5	M4	06	5	18
●	T416020.VZM03X07	20±0,1	6	M3	07	10	30
●	T416020.VZM06X30	20±0,1	6	M6	30	15	30
●	T416025.VZM04X08	25±0,1	7	M4	08	19	40
●	T416025.VZM05X15	25±0,1	7	M5	15	20	40
●	T416025.VZM06X20	25±0,1	7	M6	20	22	40
●	T416032.VZM04X08	32±0,1	7	M4	08	30	80
●	T416032.VZM06X12	32±0,1	7	M6	12	31	80
●	T416032.VZM08X10	32±0,1	7	M8	10	32	80
●	T416047.VZM06X08	47+0,2/-0,1	9	M6	08	85	180
●	T416057.VZM06X08	57+0,3/-0,1	10,5	M6	08	146	280
●	T416063.VZM06X15	63+0,3/-0,1	14	M6	15	233	350