

T253

+135°
-30°

PA6
+G.F.

UL94
HB

RoHS
COMPLIANT

HOLDER FOR SAFETY PUSH STICK FOR WOOD (ACCESSORY FOR T252)

Materials:

Reinforced polyamide.
Resistant to oils and greases.

Surface finish:

Satin.

Colour:

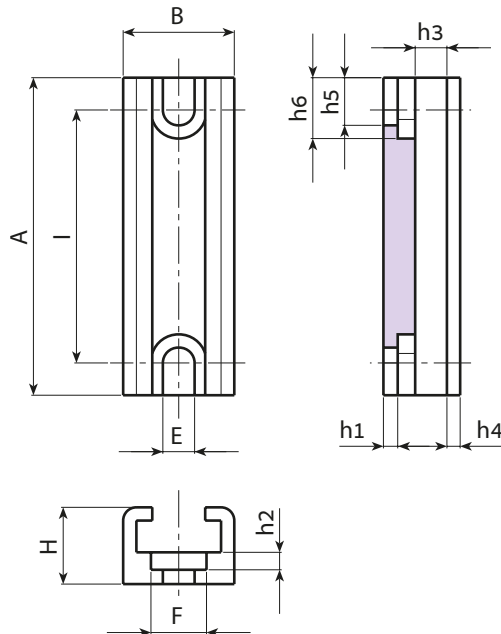
Black (RAL 9011 code 01).

Special requests:

- None.



T253+T252



T253+T252

Stock availability as % (🛒)
90% (●) - 40% (●) - 5% (●)

| Art. | A | B | H | I | E | F | h1 | h2 | h3 | h4 | h5 | h6 | g |
|------------|----|------|------|----|-----|------|-----|-----|----|-----|----|------|----|
| T25360.T01 | 60 | 21.5 | 14.5 | 48 | 6.5 | 10.5 | 2.7 | 3.3 | 6 | 2.5 | 9 | 11.5 | 13 |