

T251

WOOD PANEL PRESSER



Materials:

Reinforced polyamide.
Resistant to oils and greases.

Surface finish:

Satin.

Colour:

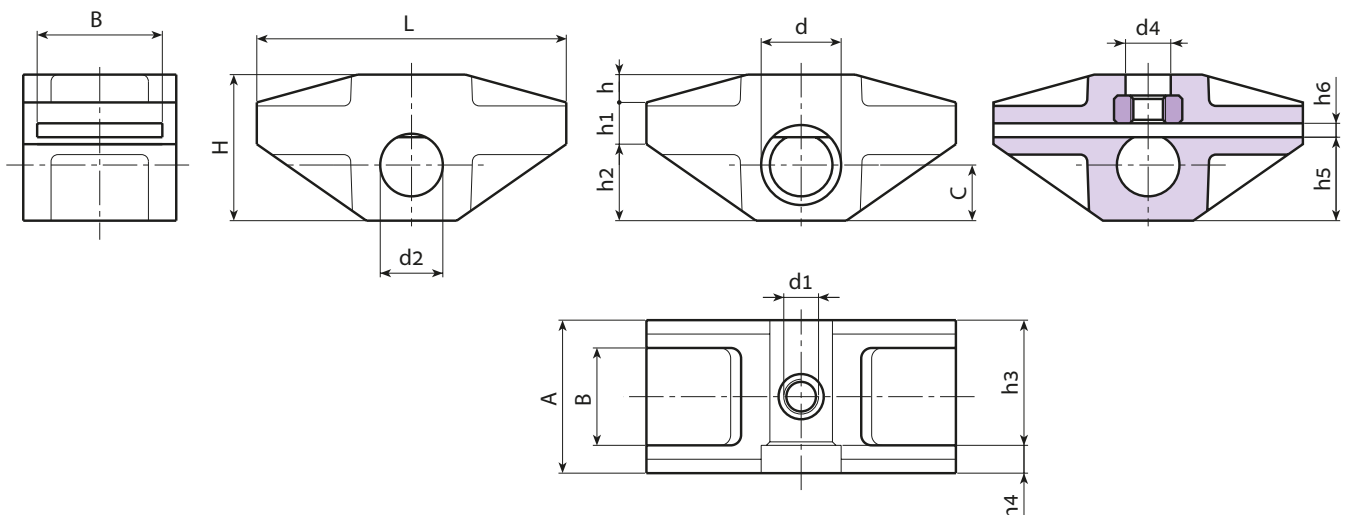
Black (RAL 9011).

Inserts:

Galvanised steel nut with threaded through hole DIN 934/UNI 5588.

Special requests:

- None.



Stock availability as % (🛒)
90% (●) - 40% (●) - 5% (●)

art.	L	H	A	B	c	E	d	d2	d3	h	h1	h2	h3	h4	h5	h6	d1	g
T25190.TM1001	89	42	44	29	16	36	23	18	13.5	10	12	20	35	9	24.5	3	M10	100