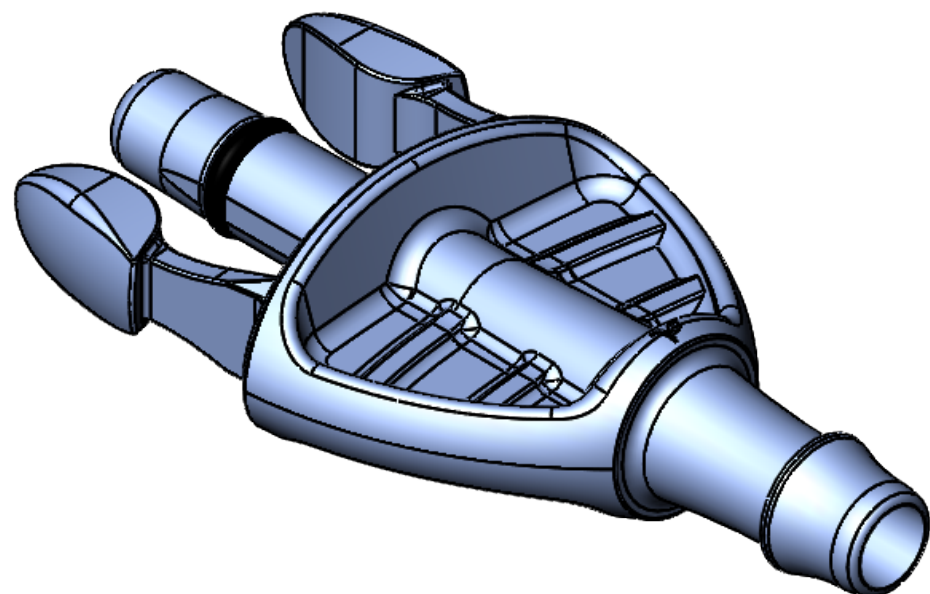
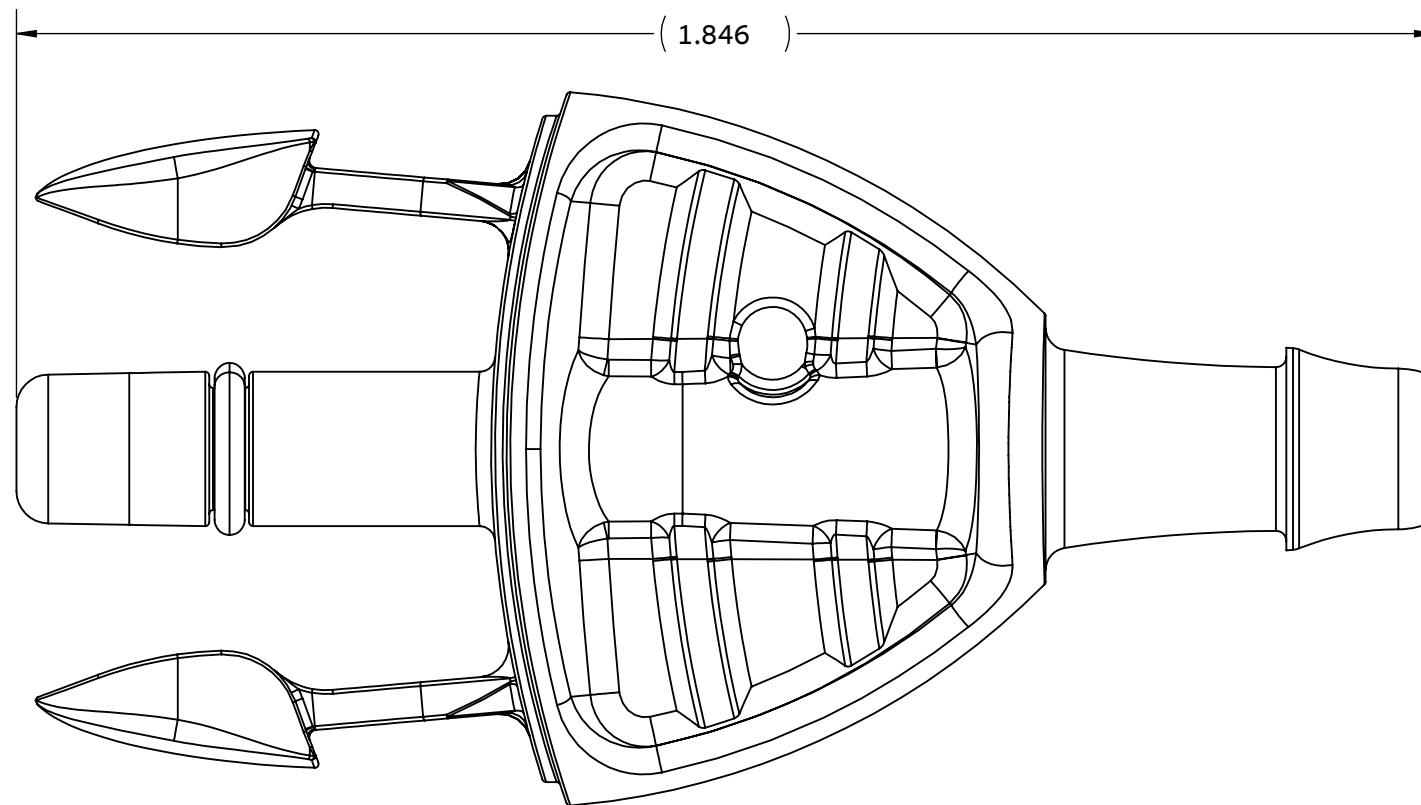
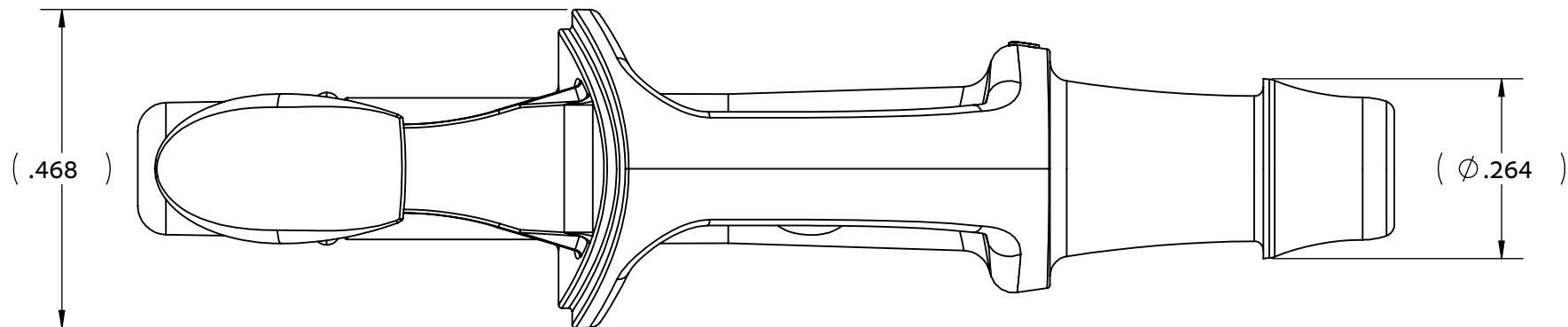
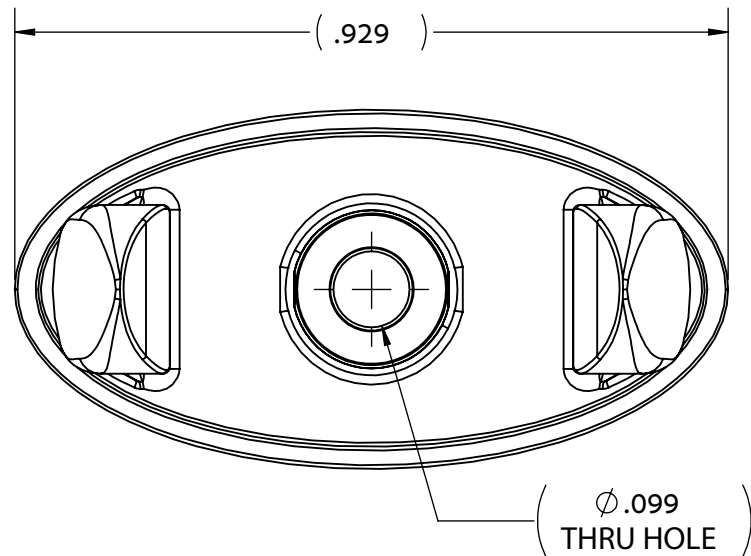


NOTES: FOR MORE DETAILS SEE YOUR V.P. SERVICE REP.

REVISIONS			
REV.	DESCRIPTION	DATE	APPROVED
A	INITIAL RELEASE	01-05-09	S.N.R
B	ECO 1315085	11-11-21	FJL



UNLESS OTHERWISE SPECIFIED DIMENSIONS ARE IN INCHES TOLERANCES ARE: FRACTIONS DECIMAL ANGULAR ± .XX ± .01 ± 1° ± .XXX ± .005 ± .XXXX ± .001 DO NOT SCALE DRAWING		VALUE PLASTICS, INC			
DRAWN BY: Frank.Lombardi		DATE: 11/11/2021		PART NUMBER: SBLM035	
NEW PRODUCT DEVELOPMENT MGR: R. Narayanan		SIZE: B	SCALE: NTS	VER: 1013946	REV B
© 2008 VALUE PLASTICS, INC				SHEET: 1 OF 1	



Arbel Agencies LTD.

11 Ba'alei Hamelacha st. Qiryat Bialik P.O.B 1095, ZIP 2751311, ISRAEL
+972(0)48736969 ☎ +972(0)48730708 📠 info@arbel-ltd.com ✉

FOR REFERENCE ONLY