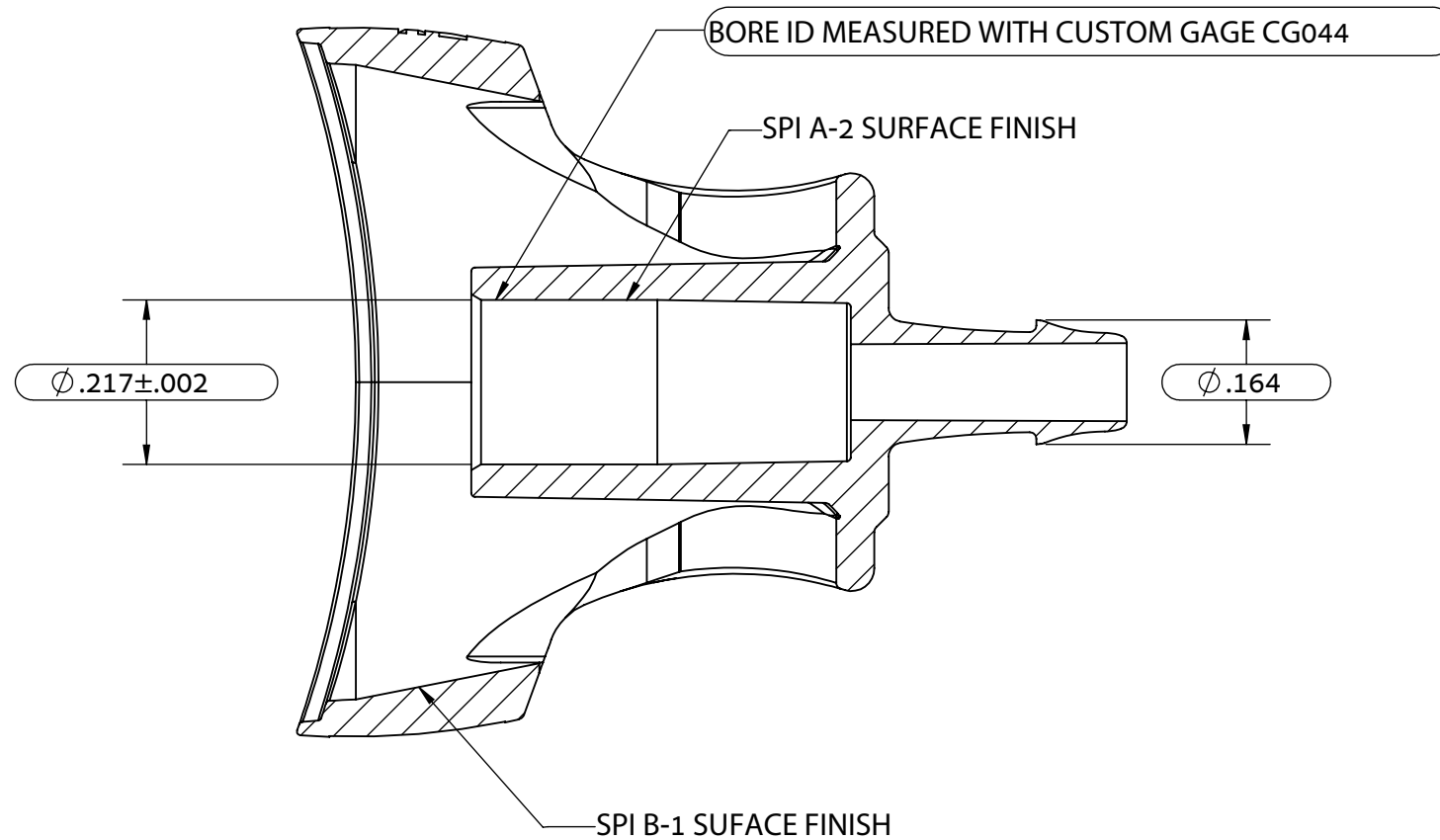
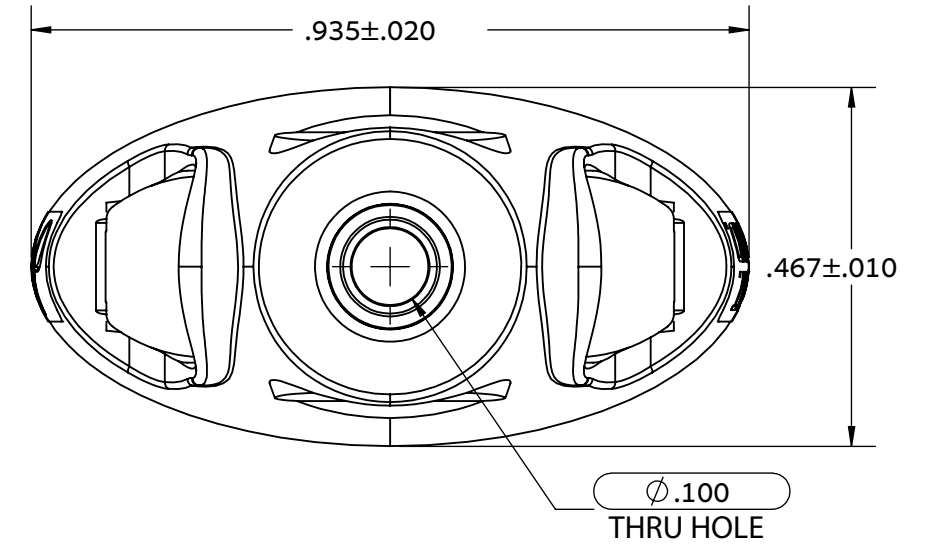
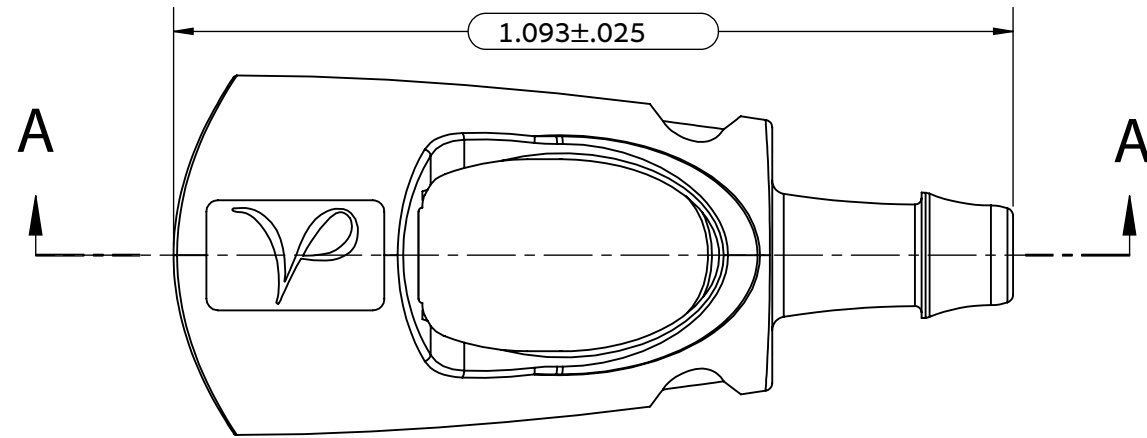
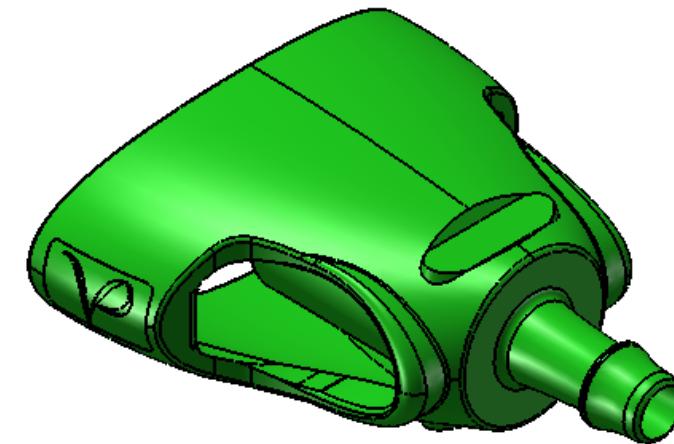


REVISIONS			
REV.	DESCRIPTION	DATE	APPROVED
A	INITIAL RELEASE	01-15-09	S.N.R



SECTION A-A



UNLESS OTHERWISE SPECIFIED DIMENSIONS ARE IN INCHES TOLERANCES ARE: FRACTIONS DECIMAL ANGULAR ± .XX ±.01 ± 1 ° .XXX ±.005 .XXXX ±.001 DO NOT SCALE DRAWING		VALUE PLASTICS, INC		
DRAWN BY: Frank.Lombardi		PART NUMBER: SBLF013		REV A
DATE: 1/28/2009		DESCRIPTION: Side Latch Quick Connect Female 500 Series Barb, 1/8" (3.2 mm) ID Tubing		
CHECKED BY: R. Narayanan		SIZE: B	SCALE: NTS	DWG. NO. 1013941
		© 2008 VALUE PLASTICS, INC		SHEET: 1 OF 1

FOR REFERENCE ONLY