

S860

TORCH CONNECTOR FRONT PROTECTION



Materials:

Reinforced polyamide.
Resistant to oils and greases.

Surface finish:

Satin.

Colour:

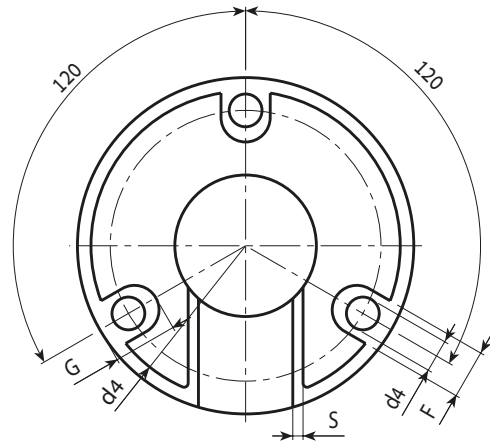
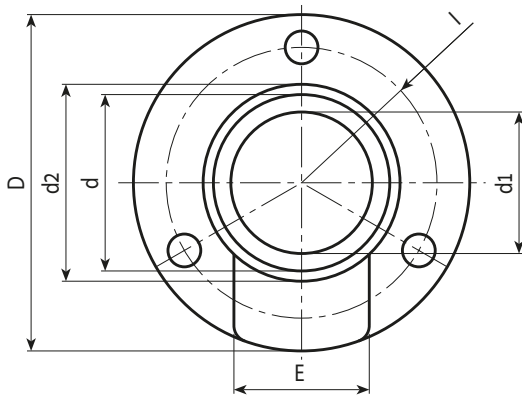
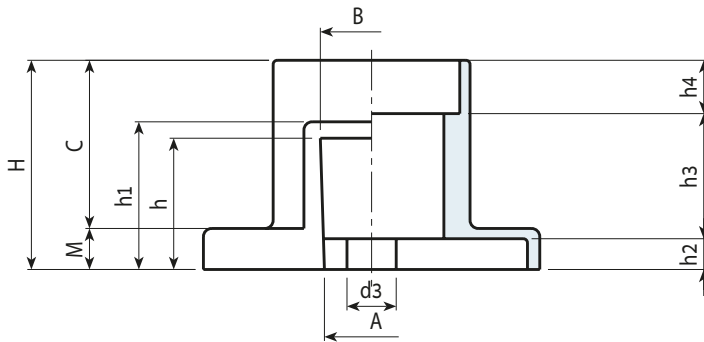
Black (RAL 9011).

Hole:

Smooth through hole obtained by moulding the plastic.

Special Requests:

- None.



Stock availability as % (🛒)
90% (●) - 40% (●) - 5% (●)

art.	D	H	A	B	C	E	F	G	I	M	S	h	h1	h2	h3	h4	d	d1	d2	d3	d4	
● S860.T01	82	51	23	25	41	34.5	12	15.5	33	10	2.5	32	36	7.5	30.5	13	43	34.5	50	12	8	65