

S802



PA6
+G.F.

UL94
HB

RoHS
COMPLIANT

ROTARY SUPPORT FOR WIRE FEEDER HEAD (THREE-PHASE MIG/MAG WELDERS)

Materials:

Reinforced polyamide.
Resistant to oils and greases.

Surface finish:

Satin.

Colour:

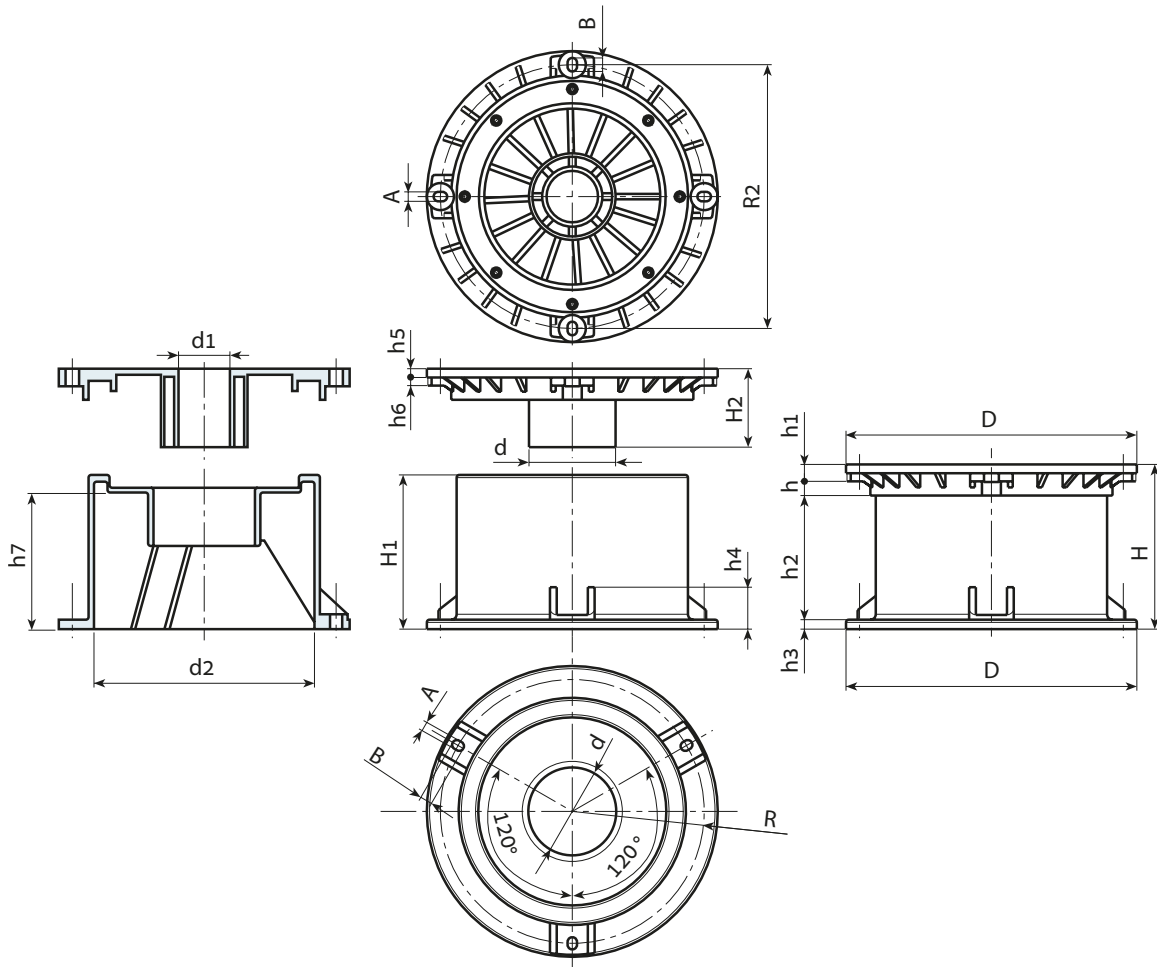
Black (RAL 9011).

Hole:

Smooth through hole obtained by moulding the plastic.

Special requests:

- You can order the two components separately, and their codes are:
- > Top flange: S804.T01
- > Low cylinder H=65: S800060.T01
- > Middle cylinder H=95: S800086.T01
- > High cylinder H=125: S800125.T01



Stock availability as % (🛒)
90% (●) - 40% (●) - 5% (●)

🛒	art.	D	H	H1	H2	d	d1	d2	h	h1	h2	h3	h4	h5	h6	h7	R	R1	A	B	📦
●	S802065.T01	215	65	56	58	64	35	-	13	10	36	6.5	31	7	6	-	195	195	7	9	1000
●	S802095.T01	215	86	86	58	64	38	-	13	10	56	6.5	31	7	6	-	195	195	7	9	1115
●	S802125.T01	215	123	114	58	64	38	-	13	10	93	6.5	31	7	6	-	195	195	7	9	1215