

S118



MALE CONNECTOR FOR PANEL TP (SUITABLE FOR INVERTER ONLY)

Materials:

(2-3) Reinforced polyamide.
Resistant to oils and greases.

Surface finish:

Satin.

Colour:

Black (RAL 9011).

Inserts:

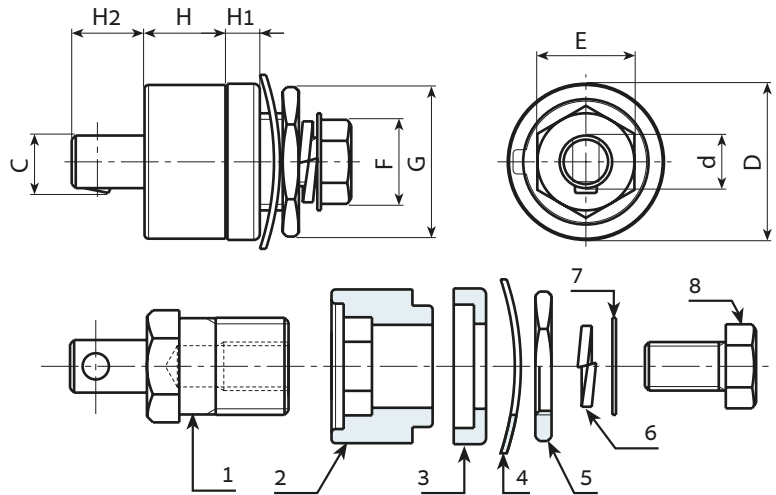
- (1) Brass insert with male connector UNI.
- (4) Black-oxyde treated steel corrugated washer DIN 137.
- (5) Yellow passivated steel threaded hexagon ring nut.
- (6) Black-oxyde treated steel split washer UNI 1751.
- (7) Yellow passivated steel washer.
- (8) Yellow passivated hex head screw DIN933/UNI 5739.

Special Requests:

- None.



S118+S113



Stock availability as % (🛒)
90% (●) -40% (●) -5% (●)

🛒	art.	D	H	H1	H2	d	c	E	F	G	📏	Amp. Max
●	S118.M3550	38	20	8	17	13	14	21	17	27	160	200